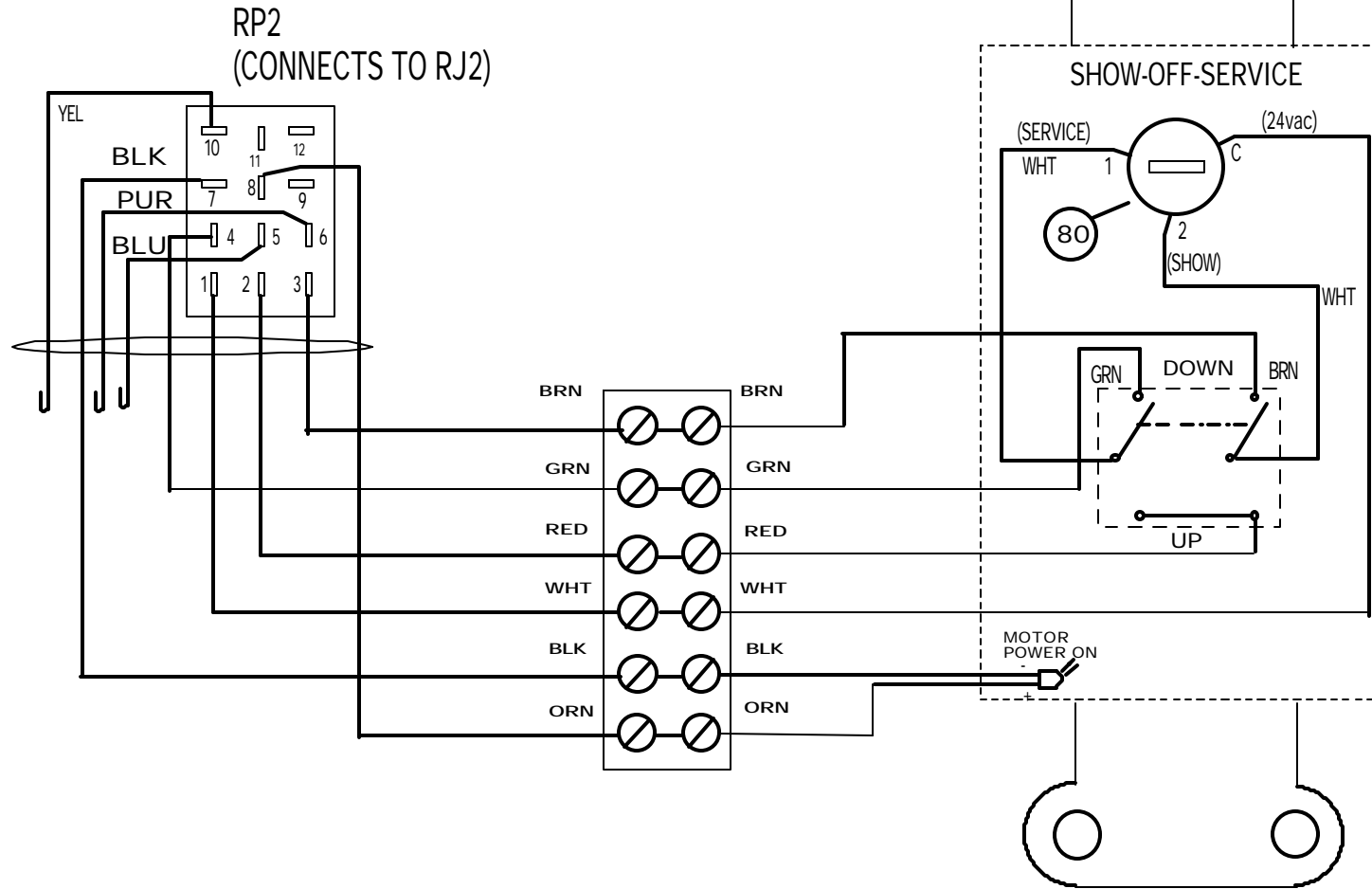


VIEW FROM BACK



COPYRIGHT		SVS, INC.	
DRAWN BY:	C.H. 5-96	PROJECT:	PROJECTOR LIFT
CHECK BY:	C.H. 5-96	U.S. PATENT # 5,261,645 & 5,366,203	
DESIGNED BY:	SVS, INC. 2-89	DRAWING NO.	DESCRIPTION
CAGE CODE:	OKPR7 2-89	SWIRE CONTROLLER	SOLID STATE CONTROLLER
PHONE:	850-522-4747	REVISION	RELEASE DATE
		6	6-03
		SER # AND UP	2680