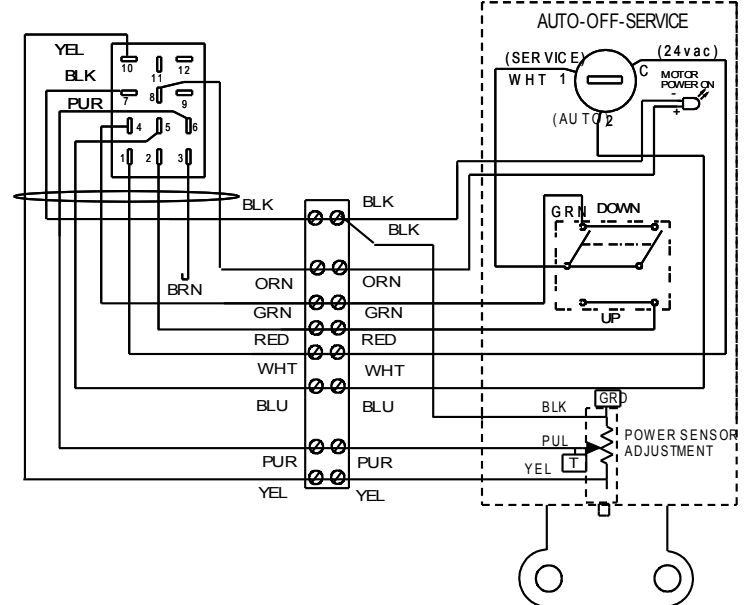
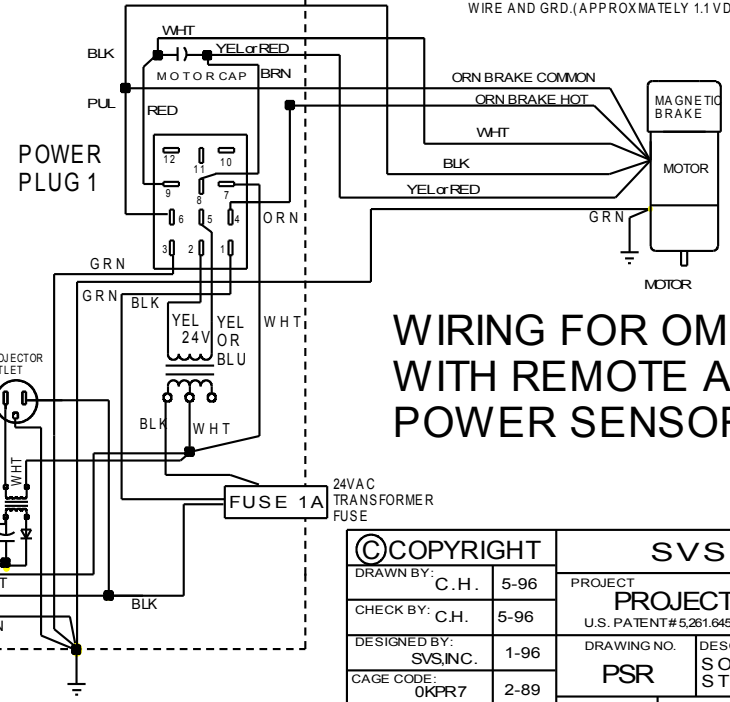


## WALL PLATE CONTROLLER



TRIGGER VOLTAGE CAN BE MONITORED BETWEEN THE PURPLE WIRE AND GRD. (APPROXIMATELY 1.1 VDC FOR TRIGGER.)



## WIRING FOR OM MOTOR WITH REMOTE ADJ. POWER SENSOR

©COPYRIGHT		SVS, INC.	
DRAWN BY:	C.H. 5-96	PROJECT	
CHECK BY:	C.H. 5-96	PROJECTOR LIFT	
DESIGNED BY:	SVS, INC. 1-96	U.S. PATENT # 5,261,645 & 5,366,203	
CAGE CODE:	OKPR7 2-89	DRAWING NO.	DESCRIPTION
PHONE	850-522-4747	PSR	SOLID STATE CONTROLLER
REVISION	9	RELEASE DATE	SER # AND UP
		7-00	5000