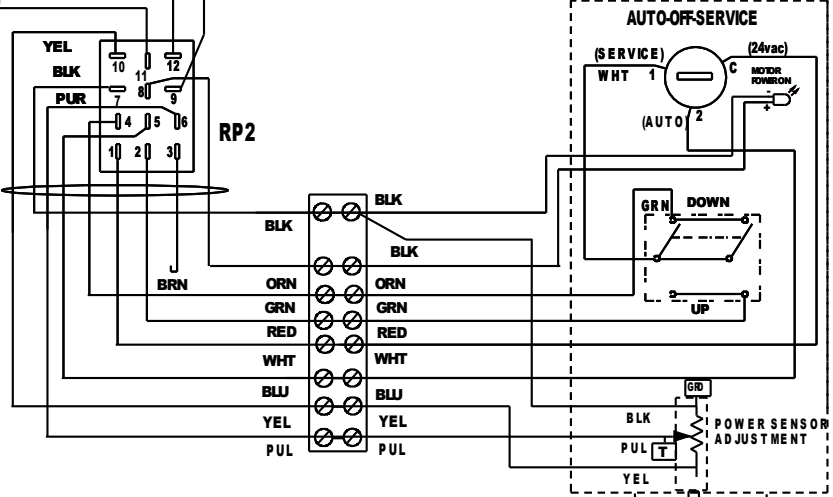
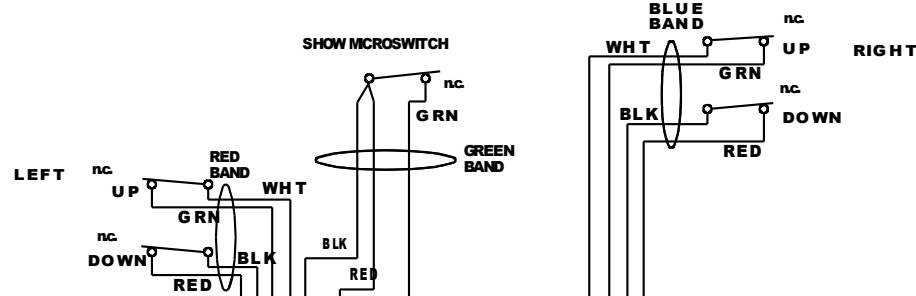


WALL PLATE CONTROLLER

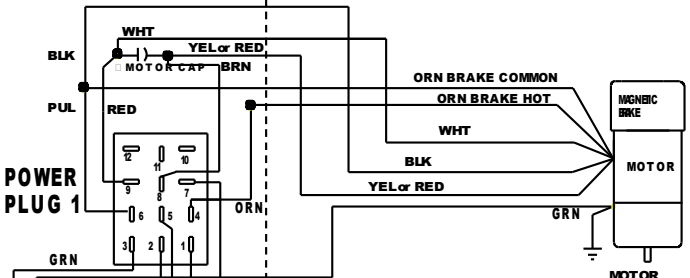
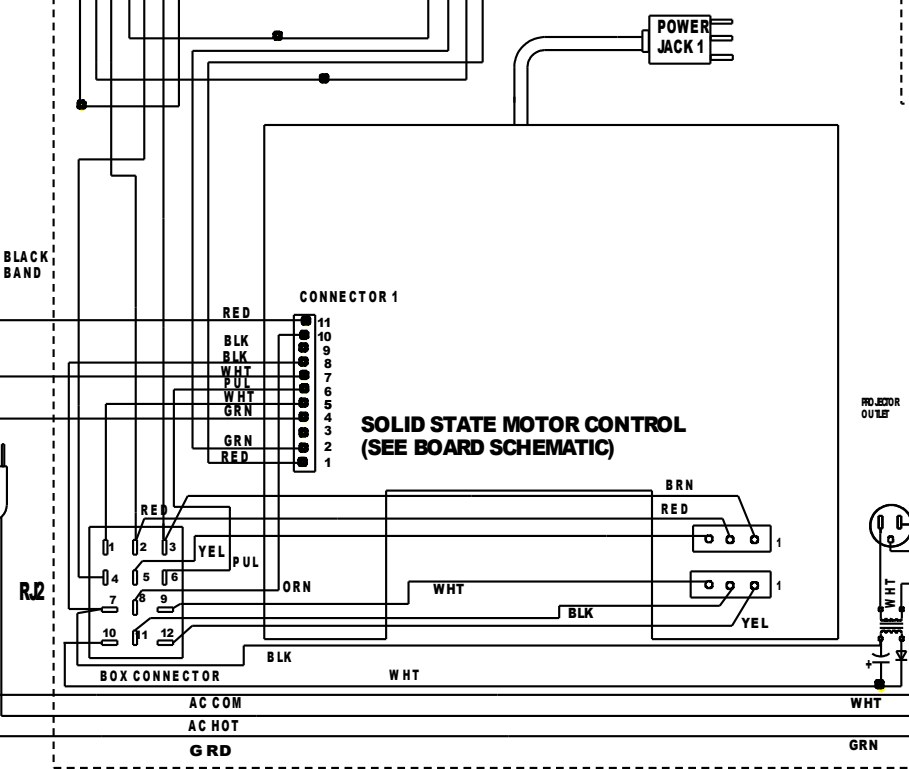
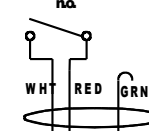
TO SCREEN

RELAY COMMON (input 1 am p. max.)
 RELAY N.O. (down)
 RELAY N.C. (up)



TRIGGER VOLTAGE CAN BE MONITORED BETWEEN THE PURPLE WIRE AND GRD. (APPROXIMATELY 1.1 VDC FOR TRIGGER.)

DRUM LOCK MICROSWITCH



M4 WIRING FOR REMOTE ADJ. POWER SENSOR WITH SCREEN CONTROL

© COPYRIGHT		SVS, INC.	
DRAWN BY: C.H.	596	PROJECT PROJECTOR LIFT	
CHECK BY: C.H.	596	U.S. PATENT # 5,261,645 & 5,366,203	
DESIGNED BY: SVS, INC.	196	DRAWING NO. M4PSRS	DESCRIPTION SOLID STATE CONTROLLER
CAGE CODE: QKPR7	289	REVISION 9	RELEASE DATE 7-00
PHONE 850-522-4747			SER # AND UP 5000