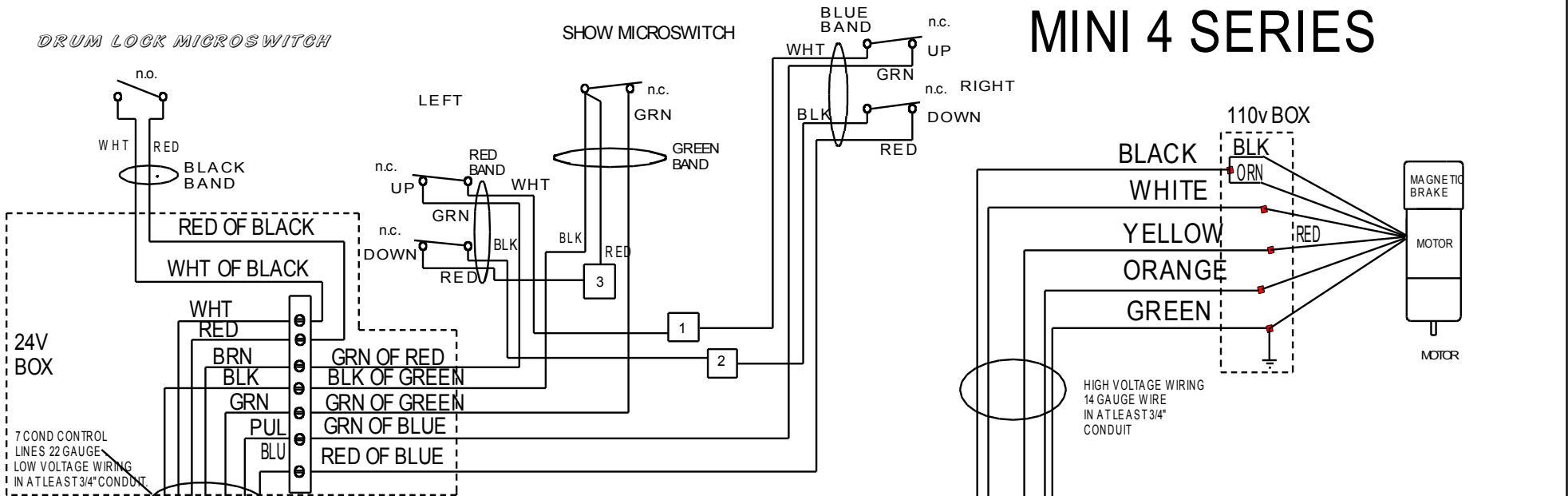
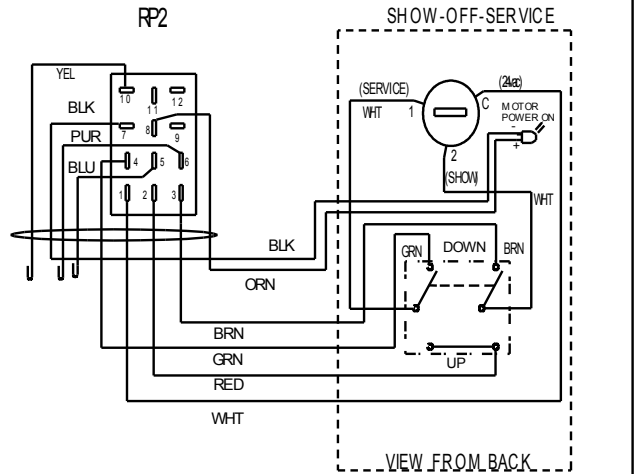
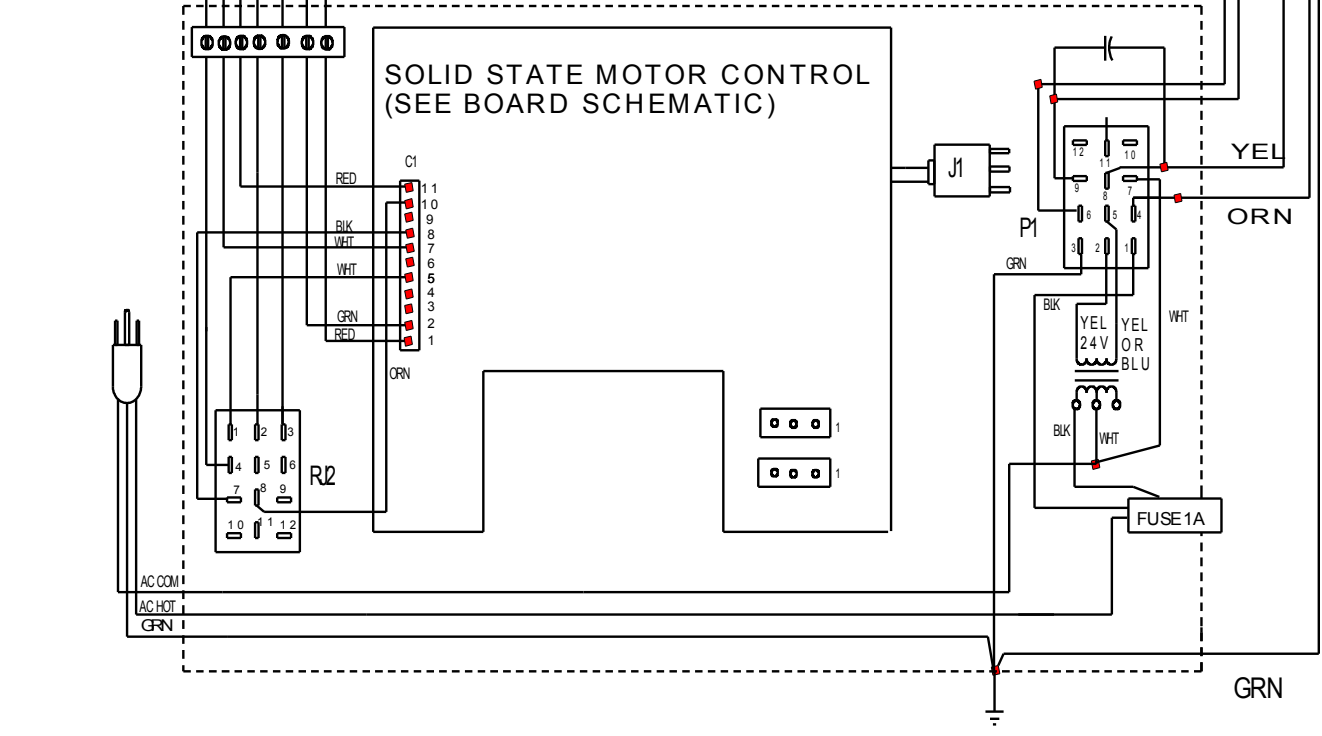


MINI 4 SERIES



LIFT LOCATED IN CEILING

CONTROL BOX FLOOR LEVEL



VIEW FROM BACK

©COPYRIGHT		SVS, INC.	
DRAWN BY:	C.H. 4-96	PROJECT	
CHECK BY:	C.H. 4-96	PROJECTOR LIFT	
DESIGNED BY:	SVS, INC. 2-89	U.S. PATENT #5,261,645	
CAGE CODE:	OKPR7 2-89	DRAWING NO.	DESCRIPTION
PHONE	850-522-4747	FAMC M4	FLOOR ACCESS MOTOR CONTROL
REVISION	2	RELEASE DATE	SER # AND UP
		11-02	5000