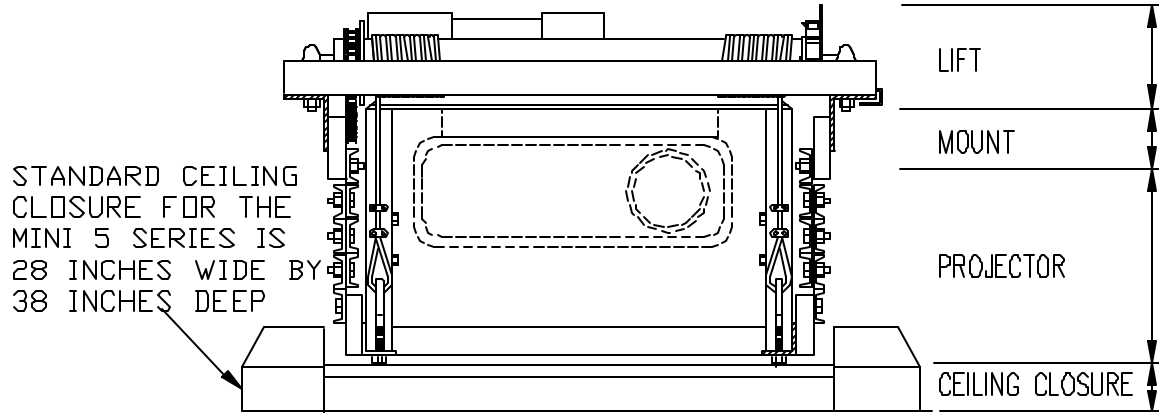


# SVS MINI 5 SERIES PROJECTOR LIFT WORKSHEET

## (USED TO DETERMINE APPROXIMATE CEILING SPACE REQUIREMENTS)



LIFT HEIGHTS	
MODEL	HEIGHT
MINI 5-5	15.5 INCHES
MINI 5-6	17.0 INCHES
MINI 5-7	18.5 INCHES
MINI 5-8	20.0 INCHES
MINI 5-10	21.5 INCHES
MINI 5-11	23.0 INCHES
MINI 5-12	24.5 INCHES
MINI 5-13	26.0 INCHES
MINI 5-14	27.5 INCHES

	<u>COLUMN A</u>	<u>COLUMN B</u>
SVS LIFT ABOVE MOUNT HEIGHT	4.5 INCHES	
ADD SVS #9 MOUNT HEIGHT		CAN RANGE FROM 2 TO 4.5 INCHES. 2 INCHES IS STANDARD.
ADD PROJECTOR/MONITOR HEIGHT		OVERALL HEIGHT OF PROJECTOR OR MONITOR BELOW #9 MOUNT.
TOTAL HEIGHT OF LIFT, MOUNT, & PROJECTOR/MONITOR =		
	← CONTINUE WITH HIGHEST NUMBER. IF EQUAL CONTINUE WITH COLUMN B. →	
ADD SVS #1 CEILING CLOSURE, HEIGHT IS 1.5 TO 5 INCHES. 2.5 INCHES IS STANDARD.		
		LIFT HEIGHT (SEE CHART ABOVE)
ADD 2 INCHES IF PLENUM SHROUD IS USED.		
		ADD SVS #1 CEILING CLOSURE HEIGHT
ADD 2 INCHES IF PLENUM SHROUD IS USED.		
		ADD 2 INCHES IF PLENUM SHROUD IS USED.
TOTAL HEIGHT =		
	← CEILING SPACE CLEARANCE →	
		TOTAL HEIGHT

- \* ALL DIMENSION ARE IN INCHES, UNLESS OTHERWISE INDICATED
- \* SPECIFICATIONS & ILLUSTRATIONS ARE BASED ON INFORMATION AT TIME OF PRINTING.
- \* THE RIGHT IS RESERVED TO MAKE CHANGES IN SPECIFICATIONS, MATERIALS, MODELS, AND APPEARANCE OR TO DISCONTINUE MODELS AT ANY TIME WITHOUT NOTICE.
- \* IF YOU HAVE ANY QUESTION OR NEED MORE INFORMATION PLEASE CONTACT SVS AT 850-522-4747 OR SALES@SVSLIFTS.COM

**TOTAL HEIGHT DOES NOT INCLUDE SUPPORT STRUCTURE FOR LIFT. (UNISTRUT, ANGLE IRON, THREADED ROD, ETC.)**

US PATENT # 5,261,645 & # 5,366,203