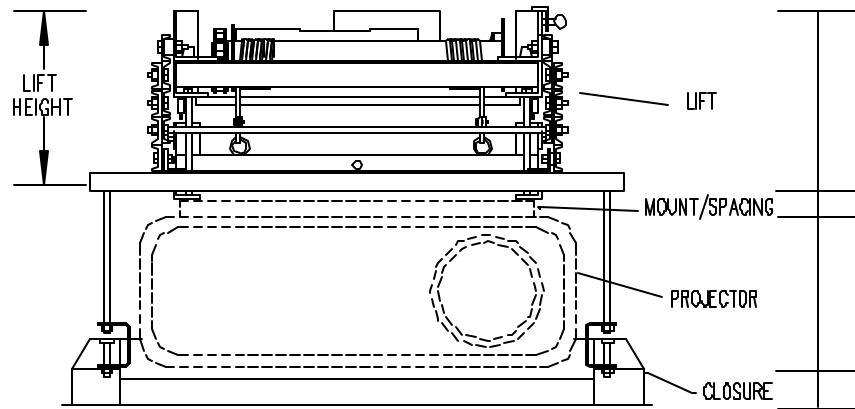


TO ESTIMATE THE REQUIRED VERTICAL SPACE REQUIRED FOR YOUR APPLICATION ADD LIFT, PROJECTOR MOUNT, PROJECTOR, ACCESSORY #1 CEILING CLOSURE (IF USED), AND ACCESSORY #2 PLENUM SHROUD (IF USED) HEIGHTS.

# SVS 4 SERIES PROJECTOR LIFT WORKSHEET

(USED TO DETERMINE APPROXIMATE CEILING SPACE REQUIREMENTS)



LIFT HEIGHT CHART	
MODEL	HEIGHT
SVS 4-5	11.5 INCHES
SVS 4-7	13.0 INCHES
SVS 4-8	14.5 INCHES
SVS 4-10	16.0 INCHES

- \_\_\_\_\_ LIFT (INCHES) (REFER TO HEIGHT CHART ABOVE)
- + \_\_\_\_\_ MOUNT or SPACING (INCHES)  
IF USING SVS #9 MOUNT APPROXIMATE HEIGHT WILL RANGE FROM 2 TO 4.5 INCHES DEPENDING UPON PROJECTOR. 3.5 INCHES IS STANDARD.
- + \_\_\_\_\_ PROJECTOR / MONITOR (INCHES)
- + \_\_\_\_\_ CLOSURE and/or PLATFORM (INCHES)  
IF USING SVS #1 CEILING CLOSURE, CLOSURE HEIGHT WILL RANGE FROM 1.5 TO 6.25 INCHES DEPENDING ON APPLICATION. 4 INCHES IS STANDARD.
- + \_\_\_\_\_ ADD 2 INCHES FOR PLENUM SHROUD (IF USED)

TOTAL HEIGHT = \_\_\_\_\_ (IN INCHES)

**ALL DIMENSIONS ARE IN INCHES UNLESS OTHERWISE INDICATED.**

SPECIFICATIONS AND ILLUSTRATIONS ARE BASED ON INFORMATION AT TIME OF PRINTING.

THE RIGHT IS RESERVED TO MAKE CHANGES IN SPECIFICATIONS, MATERIALS, MODELS, AND APPEARANCE OR TO DISCONTINUE MODELS AT ANY TIME WITHOUT NOTICE.

IF YOU HAVE ANY QUESTION OR NEED MORE INFORMATION PLEASE CONTACT SVS AT 850-522-4747 OR SALES@SVSLIFTS.COM

**TOTAL HEIGHT DOES NOT INCLUDE SUPPORT STRUCTURE FOR LIFT. (UNISTRUT, ANGLE IRON, THREADED ROD, ETC.)**