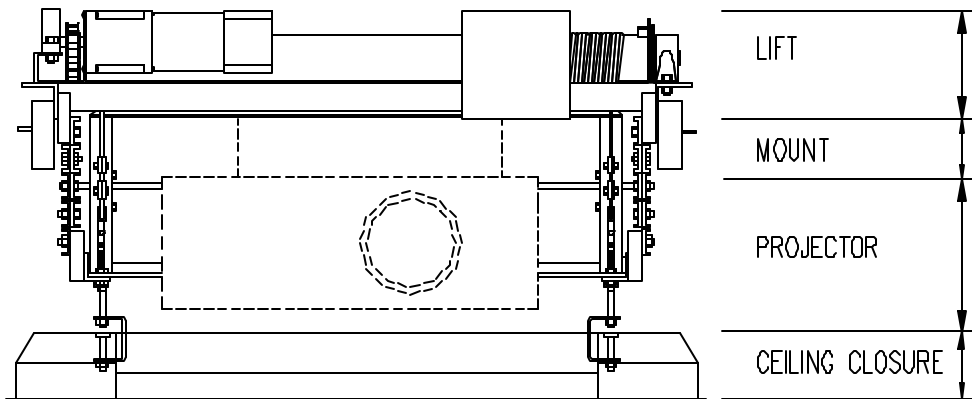


# SVS 7, 7EX & 7EXRD SERIES PROJECTOR LIFT WORKSHEET

(USED TO DETERMINE APPROXIMATE CEILING SPACE REQUIREMENTS)



LIFT HEIGHT	
MODEL	HEIGHT
7,7EX,7EXRD-9	16.0 INCHES [406mm]
7,7EX,7EXRD-11	17.5 INCHES [445mm]
7,7EX,7EXRD-13	19.0 INCHES [483mm]
7,7EX,7EXRD-15	20.5 INCHES [521mm]
7,7EX,7EXRD-18	22.0 INCHES [559mm]
7,7EX,7EXRD-20	23.5 INCHES [597mm]
7,7EX,7EXRD-22	25.0 INCHES [635mm]

	<u>COLUMN A</u>		<u>COLUMN B</u>
SVS LIFT ABOVE MOUNT HEIGHT	6 INCHES		
ADD SVS #9 MOUNT HEIGHT		CAN RANGE FROM 2 TO 4.5 INCHES. 3.5 INCHES IS STANDARD.	
ADD PROJECTOR/MONITOR HEIGHT		OVERALL HEIGHT OF PROJECTOR OR MONITOR BELOW #9 MOUNT.	
TOTAL HEIGHT OF LIFT, MOUNT, & PROJECTOR/MONITOR =		← CONTINUE WITH HIGHEST NUMBER. IF EQUAL CONTINUE WITH COLUMN B. →	
ADD SVS #1 CEILING CLOSURE, HEIGHT IS 1.5 TO 5 INCHES. 4 INCHES IS STANDARD.			
ADD 2 INCHES IF PLENUM SHROUD IS USED.			
<b>TOTAL HEIGHT =</b>		← CEILING SPACE CLEARANCE →	

- \* ALL DIMENSION ARE IN INCHES, UNLESS OTHERWISE INDICATED
- \* SPECIFICATIONS & ILLUSTRATIONS ARE BASED ON INFORMATION AT TIME OF PRINTING.
- \* THE RIGHT IS RESERVED TO MAKE CHANGES IN SPECIFICATIONS, MATERIALS, MODELS, AND APPERANCE OR TO DISCONTINUE MODELS AT ANY TIME WITHOUT NOTICE.
- \* IF YOU HAVE ANY QUESTION OR NEED MORE INFORMATION PLEASE CONTACT SVS AT 850-522-4747 OR SALES@SVSLIFTS.COM

**TOTAL HEIGHT DOES NOT INCLUDE SUPPORT STRUCTURE FOR LIFT. (UNISTRUT, ANGLE IRON, THREADED ROD, ETC.)**

US PATENT # 5,261,645 & # 5,366,203