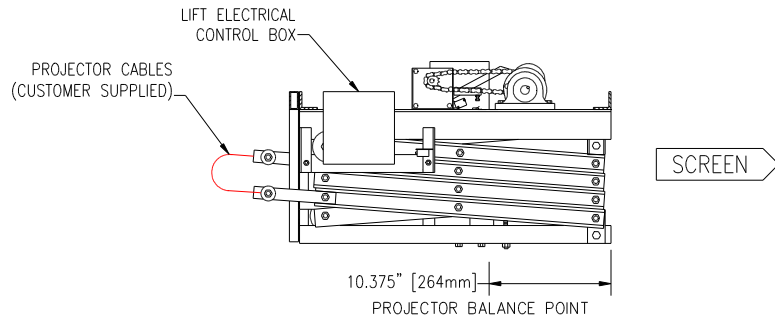
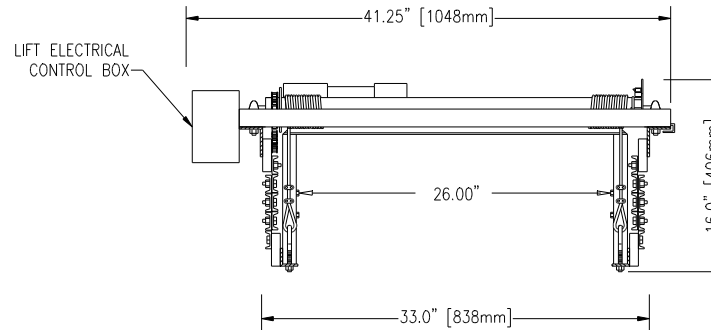


# SVS MINI 7 SERIES PROJECTOR LIFTS (SVS MINI 7-4 SHOWN)

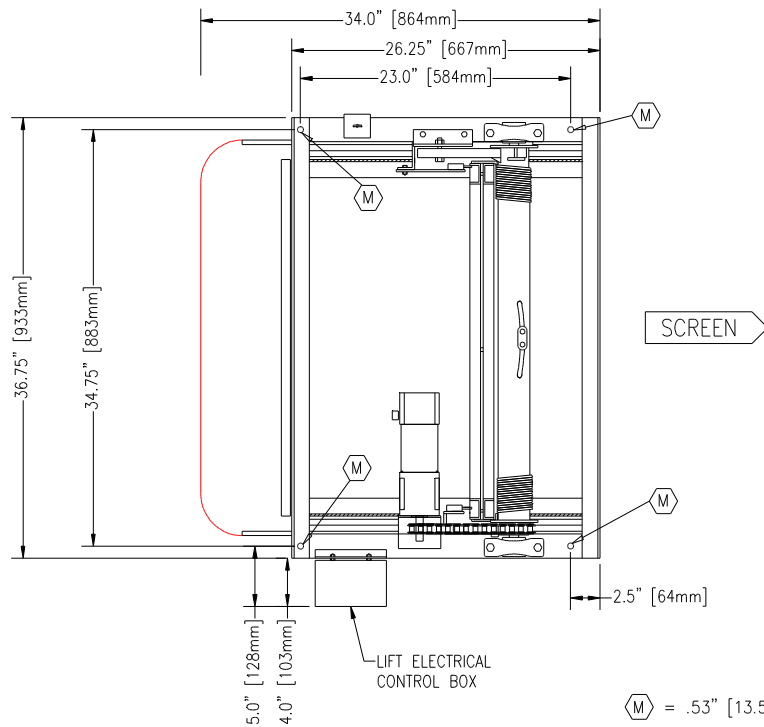
SIDE VIEW



FRONT VIEW



TOP VIEW



(M) = .53" [13.5mm] DIA. MOUNTING HOLE

LIFT HEIGHT DATA		
LIFT MODEL	LIFT MAXIMUM TRAVEL	LIFT HEIGHT (CLOSED)
SVS MINI 7-4	4'9" [1.45m]	16" [406mm]
SVS MINI 7-6	6' [1.83m]	17.5" [445mm]
SVS MINI 7-7	7' [2.13m]	19" [483mm]

NOTES:

1. PROJECTOR MOUNTS BETWEEN THE LIFT SCISSORS USING A CEILING STYLE PROJECTOR MOUNT. THIS LIMITS THE PROJECTOR (INCLUDING PROJECTOR CABLES) WIDTH TO 26" [660mm].
2. LIFT HEIGHT IN THE CHART ABOVE IS FOR THE LIFT ONLY, DOES NOT INCLUDE PROJECTOR, PROJECTOR MOUNT, ACCESSORIES, OR LIFT SUPPORT STRUCTURE.
3. LIFT SHOWN WITH CABLE RETAINERS FOR PROJECTOR CABLE MANAGEMENT.
4. SVS RECOMMENDS A MINIMUM CEILING OPENING OF 38" [96.5cm] WIDE BY 40" [101.6cm] DEEP.
5. PLEASE CONTACT SVS FOR THE SPACE REQUIREMENTS USING YOUR PROJECTOR WITH THE SVS MINI 7 LIFT SERIES.
6. LIFT MOUNTING HOLES ARE GENERALLY CENTERED SIDE-TO-SIDE WITH THE SPECIFIED CEILING OPENING. ALLOWANCE MUST BE MADE ABOVE THE CEILING FOR THE LIFT ELECTRICAL CONTROL BOX.

© COPYRIGHT		SCALE APPROX	SVS INC.	
DRAWN BY:	S.M.	4-96	MODEL SVS MINI 7	
CHECKED BY:	C.H.	4-96	US PATENT #5,261,645 & #5,366,203	
DESIGNED BY:	SVS	10-91	DRAWING NO. SVS-M7	
CAGE CODE:	OKPR7	2-89	SERIAL NO.	RELEASE DATE
PHONE	850-522-4747		1205 AND UP	JUNE 25, 2013