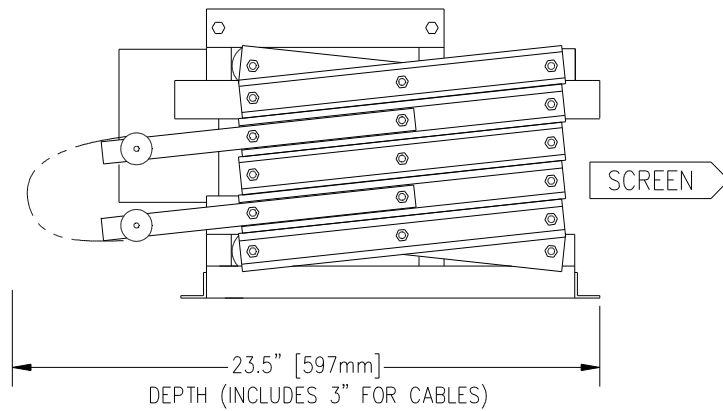
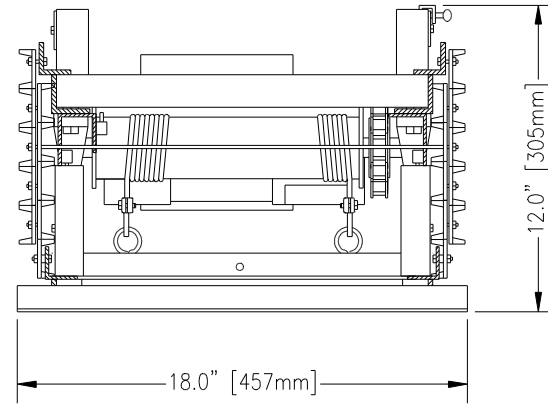


SVS MINI 4 SERIES PROJECTOR LIFTS

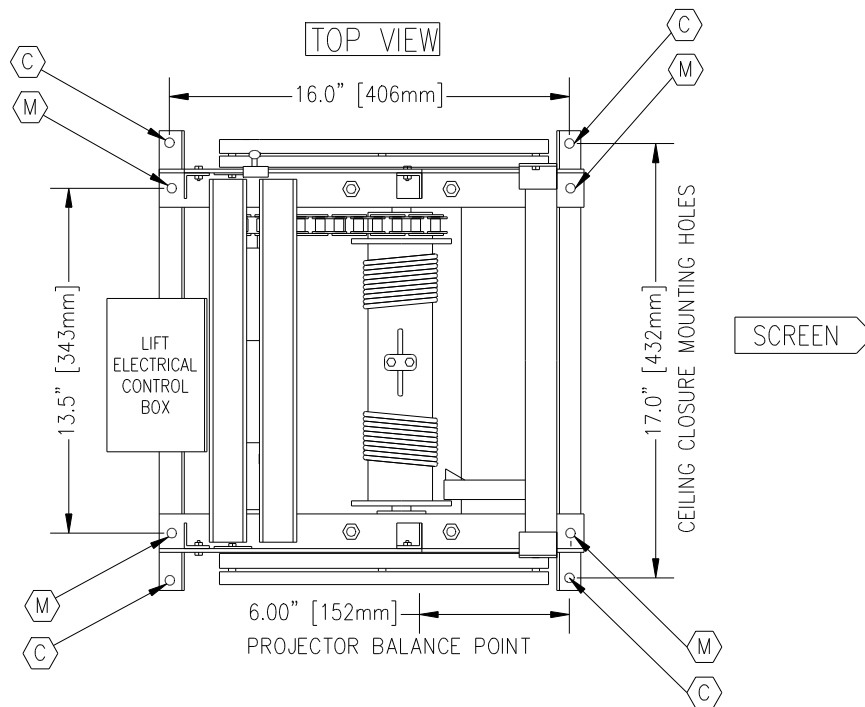
SIDE VIEW



FRONT VIEW



TOP VIEW



LIFT HEIGHT DATA		
LIFT MODEL	LIFT MAXIMUM TRAVEL	LIFT HEIGHT (CLOSED)
SVS MINI 4-3	3'6" [1.07m]	12" [305mm]
SVS MINI 4-5	4'9" [1.45m]	15" [381mm]
SVS MINI 4-6	6' [1.83m]	18" [457mm]

NOTES:

1. PROJECTOR MOUNTS BELOW THE LIFT USING A CEILING STYLE PROJECTOR MOUNT. THIS INCREASES THE HEIGHT REQUIRED FOR THE APPLICATION BUT ALLOWS THE PROJECTOR TO EXCEED THE WITH OF THE LIFT.
2. LIFT HEIGHT IN THE CHART ABOVE IS FOR THE LIFT ONLY, DOES NOT INCLUDE PROJECTOR, PROJECTOR MOUNT, ACCESSORIES, OR LIFT SUPPORT STRUCTURE.
3. SVS RECOMMENDS A MINIMUM CEILING OPENING OF 23" [58.4cm] WIDE BY 29" [73.7cm] DEEP.
4. PLEASE CONTACT SVS FOR THE SPACE REQUIREMENTS USING YOUR PROJECTOR WITH THE SVS MINI 4 LIFT SERIES.

- (M) = .375" [9.5mm] DIA. LIFT MOUNTING HOLES (TOP FRAME)
- (C) = .375" [9.5mm] DIA. CEILING CLOSURE SUPPORT ROD MOUNTING HOLES (BOTTOM FRAME)

© COPYRIGHT	SCALE: APPROX.	SVS, INC.	
DRAWN BY: S.M.	4-96		
CHECKED BY: C.H.	4-96	MODEL	MINI 4 PROJECTOR LIFT
DESIGNED BY: SVS	4-92	US PATENT #5,261,645 & #5,366,203	
CAGE CODE: OKPR7	2-89	DRAWING NO.	SVS M4.DWG
PHONE: 850-522-4747		SERIAL NO.	RELEASE DATE
		3100 AND UP	JUNE 25, 2013