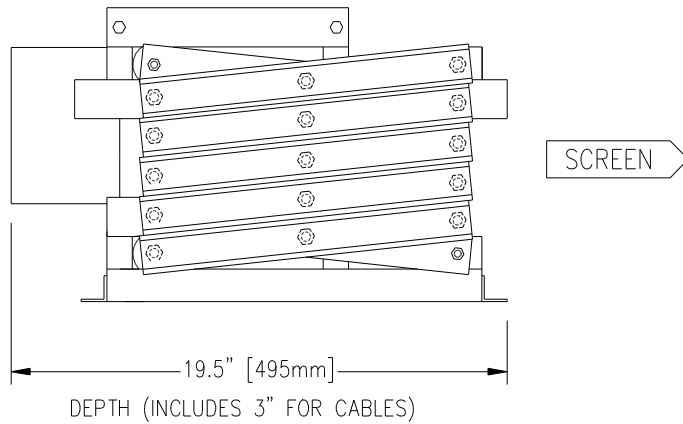
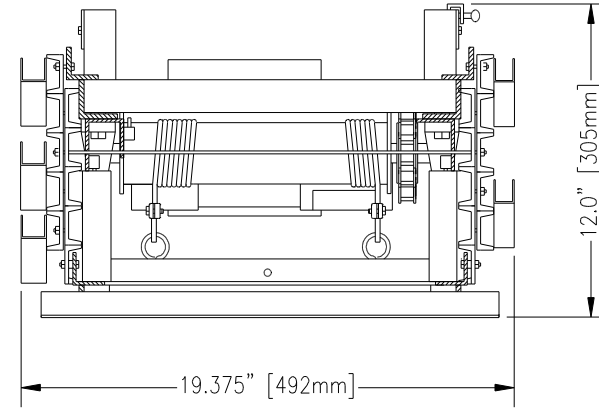


# SVS MINI 4 SERIES PROJECTOR LIFT WITH 2'X2' CABLE MANAGEMENT (SVS MINI 4-3 SHOWN)

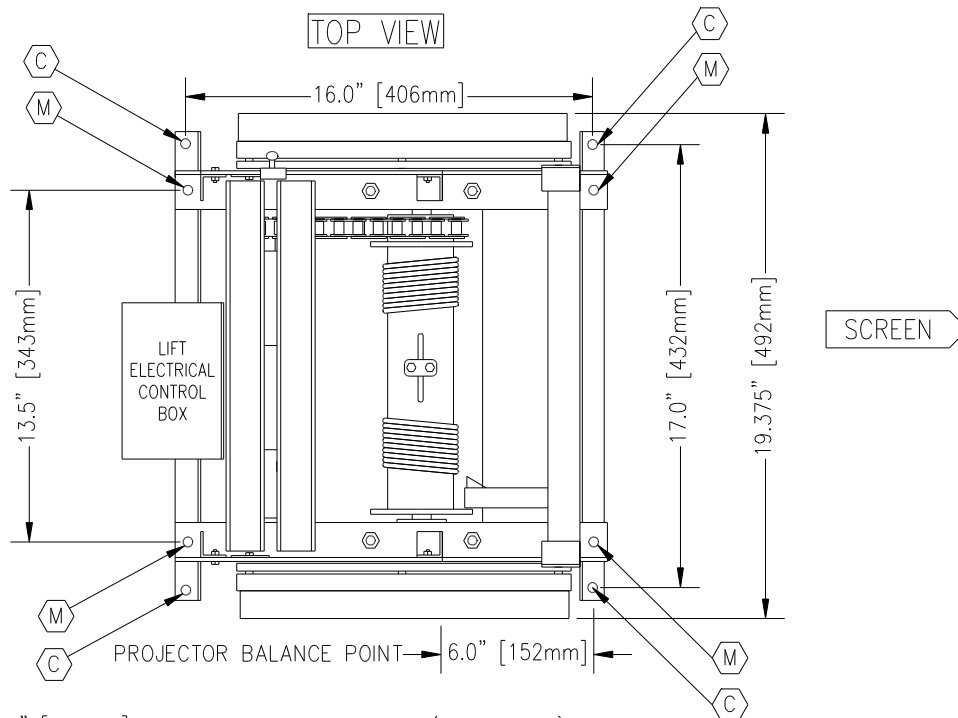
SIDE VIEW



FRONT VIEW



TOP VIEW



LIFT HEIGHT DATA		
LIFT MODEL	LIFT MAXIMUM TRAVEL	LIFT HEIGHT (CLOSED)
SVS MINI 4-3 2X2	3'6" [1.07m]	12" [305mm]
SVS MINI 4-5 2X2	4'9" [1.45m]	15" [381mm]
SVS MINI 4-6 2X2	6' [1.83m]	18" [457mm]

NOTES:

1. PROJECTOR MOUNTS BELOW THE LIFT USING A CEILING STYLE PROJECTOR MOUNT. THIS INCREASES THE HEIGHT REQUIRED FOR THE APPLICATION BUT ALLOWS THE PROJECTOR TO EXCEED THE WITH OF THE LIFT.
2. LIFT HEIGHT IN THE CHART ABOVE IS FOR THE LIFT ONLY, DOES NOT INCLUDE PROJECTOR, PROJECTOR MOUNT, ACCESSORIES, OR LIFT SUPPORT STRUCTURE.
3. THE SVS MINI 4 2X2 SERIES IS DESIGNED TO BE USED WITH 2X2 CEILING GRIDS. CAN BE USED WITH 1<sup>5</sup>/<sub>16</sub>" OR 3<sup>1</sup>/<sub>16</sub>" GRIDS.
4. PLEASE CONTACT SVS FOR THE SPACE REQUIREMENTS USING YOUR PROJECTOR WITH THE SVS MINI 4 2X2 LIFT SERIES.

(M) = .375" [9.5mm] DIA. LIFT MOUNTING HOLES (TOP FRAME)  
 (C) = .375" [9.5mm] DIA. CEILING CLOSURE SUPPORT ROD MOUNTING HOLES (BOTTOM FRAME)

(C) COPYRIGHT	SCALE: APPROX.	SVS, INC.	
DRAWN BY:			
CHECKED BY:		MODEL	MINI 4 PROJECTOR LIFT
DESIGNED BY:	SVS	US PATENT #5,261,645 & #5,366,203	
CAGE CODE:	OKPR7	DRAWING NO.	SVS MINI 4 2X2
PHONE:	850-522-4747	SERIAL NO.	3100 AND UP
		RELEASE DATE	JUNE 25, 2013