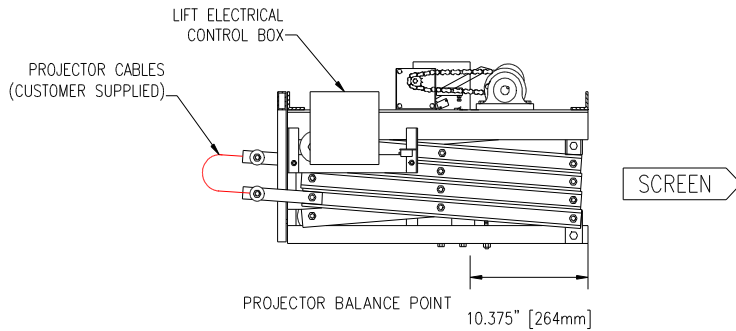
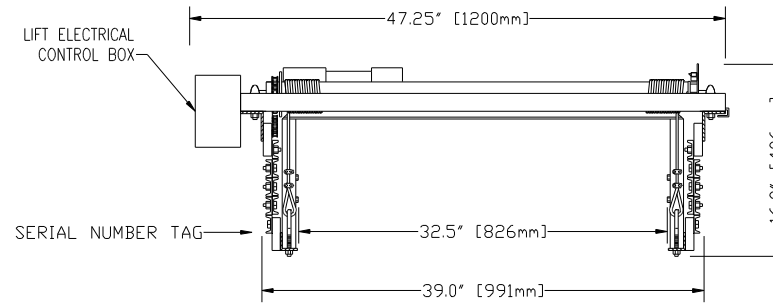


SVS MINI 7EX SERIES PROJECTOR LIFTS (SVS MINI 7EX-4 SHOWN)

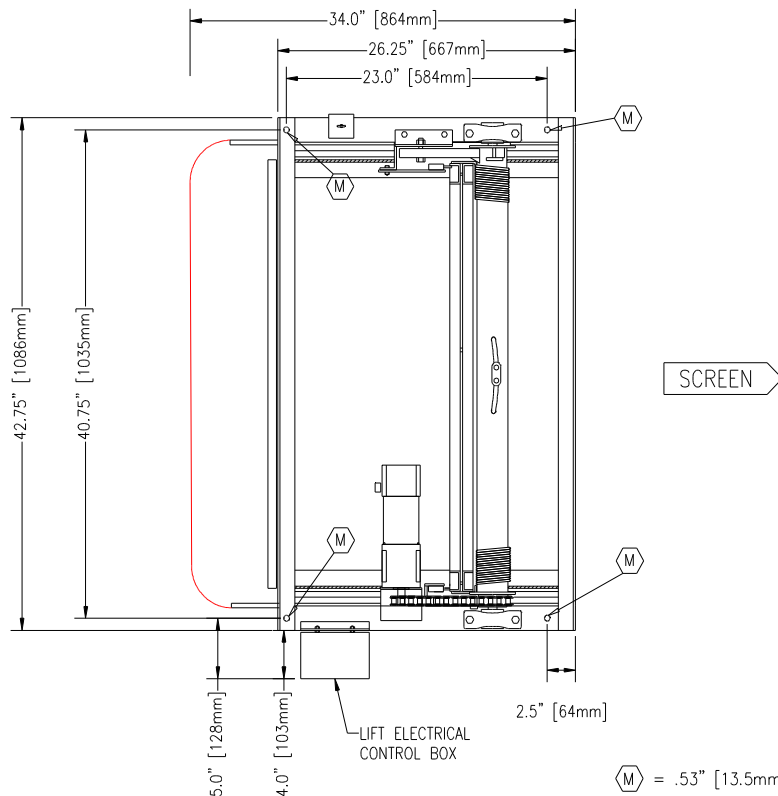
SIDE VIEW



FRONT VIEW



TOP VIEW



LIFT HEIGHT DATA		
LIFT MODEL	LIFT MAXIMUM TRAVEL	LIFT HEIGHT (CLOSED)
SVS MINI 7EX-4	4'9" [1.45m]	16" [406mm]
SVS MINI 7EX-6	6' [1.83m]	17.5" [445mm]
SVS MINI 7EX-7	7' [2.13m]	19" [483mm]

NOTES:

1. PROJECTOR MOUNTS BETWEEN THE LIFT SCISSORS USING A CEILING STYLE PROJECTOR MOUNT. THIS LIMITS THE PROJECTOR (INCLUDING PROJECTOR CABLES) WIDTH TO 32.5" [825.5mm].
2. LIFT HEIGHT IN THE CHART ABOVE IS FOR THE LIFT ONLY, DOES NOT INCLUDE PROJECTOR, PROJECTOR MOUNT, ACCESSORIES, OR LIFT SUPPORT STRUCTURE.
3. LIFT SHOWN WITH CABLE RETAINERS FOR PROJECTOR CABLE MANAGEMENT.
4. SVS RECOMMENDS A MINIMUM CEILING OPENING OF 43.5" [110.5cm] WIDE BY 40" [101.6cm] DEEP.
5. PLEASE CONTACT SVS FOR THE SPACE REQUIREMENTS USING YOUR PROJECTOR WITH THE SVS MINI 7 LIFT SERIES.
6. LIFT MOUNTING HOLES ARE GENERALLY CENTERED SIDE-TO-SIDE WITH THE SPECIFIED CEILING OPENING. ALLOWANCE MUST BE MADE ABOVE THE CEILING FOR THE LIFT ELECTRICAL CONTROL BOX.

© COPYRIGHT	SCALE APPROX	SVS INC.	
DRAWN BY: S.M.	4-96	MODEL SVS MINI 7EX	
CHECKED BY: C.H.	4-96	US PATENT #5,261,645 & #5,366,203	
DESIGNED BY: SVS	10-91	DRAWING NO. SVS-M7EX	DESCRIPTION DIMENSIONS
CAGE CODE: OKPR7	2-89	SERIAL NO. 1205 AND UP	RELEASE DATE MARCH 25, 2014
PHONE 850-522-4747			

Ⓜ = .53" [13.5mm] DIA. MOUNTING HOLE