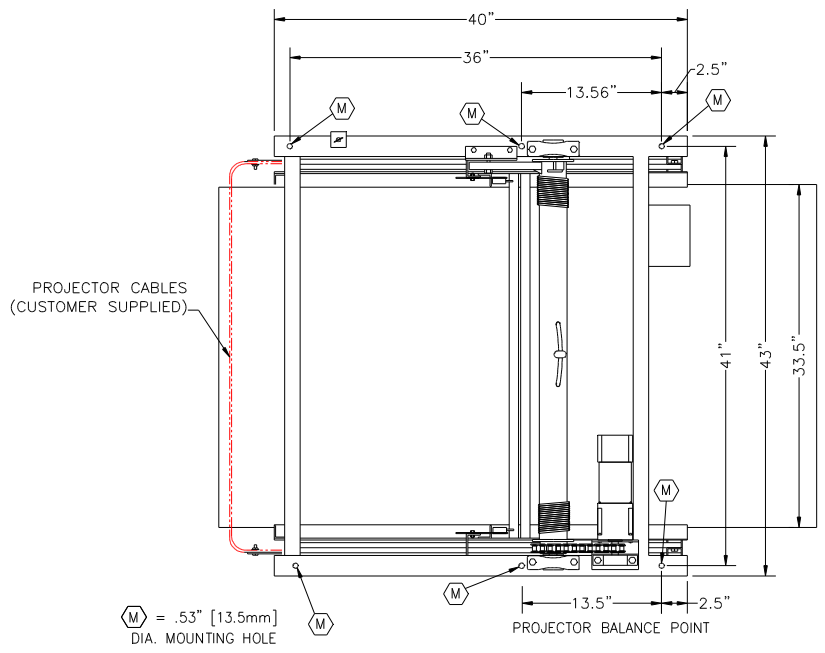


SVS 7HSE PROJECTOR LIFT SERIES

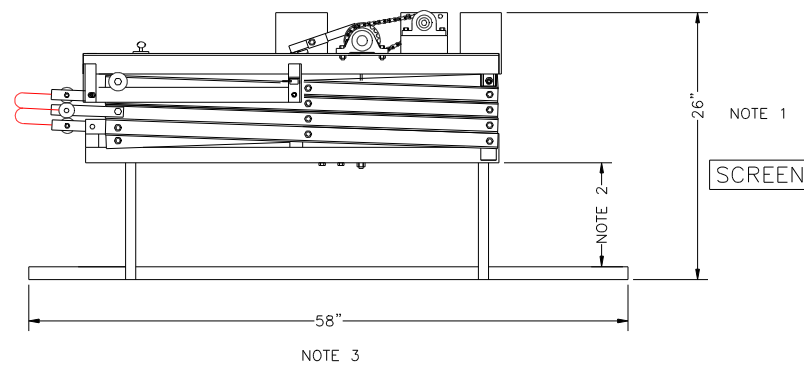
TOP VIEW



SCREEN

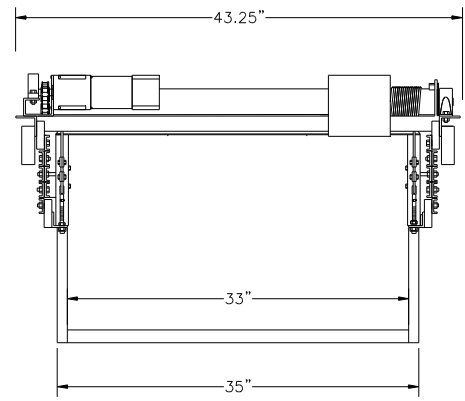
1. OVERALL HEIGHT WILL BE DETERMINED BY THE PROJECTOR USED AND WHETHER THE PROJECTOR IS MOUNTED BELOW OR BETWEEN THE LIFT SCISSORS.
2. DISTANCE BETWEEN THE BOTTOM OF THE LIFT AND THE PLATFORM WILL BE DETERMINED BY THE PROJECTOR USED AND WHETHER THE PROJECTOR IS MOUNTED BELOW OR BETWEEN THE LIFT SCISSORS.
3. THE OVERALL DEPTH OF THE LIFT WILL BE DETERMINED BY THE DEPTH OF THE PROJECTOR USED.
4. THE SVS 7HSE LIFT IS PROVIDED WITH ACCESSORY #13 REMOVABLE PLATFORM, STANDARD CABLE MANAGEMENT, AND 24VAC WALL PLATE CONTROLLER.
5. PLEASE CONTACT SVS FOR THE SPACE REQUIREMENTS USING YOUR PROJECTOR WITH THE SVS 7HSE LIFT SERIES.

SIDE VIEW



SCREEN

FRONT VIEW



© COPYRIGHT		SCALE APPROX.	SVS INC.	
DRAWN BY:	S.M.	5-96	PROJECT SVS-7HSE LIFT	
CHECKED BY:	C.H.	5-96	U.S. PATENT # 5,261,645 & # 5,366,203	
DESIGNED BY:	SVS	10-91	DRAWING NO. SVS 7HSE-9.dwg	
CAGE CODE:	OKPR7	2-89	SERIAL NO.	RELEASE DATE
PHONE:	850-522-4747			JUNE 7, 2018