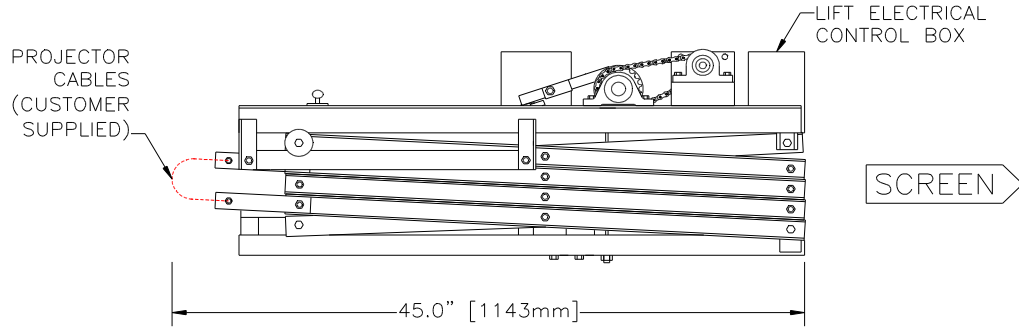


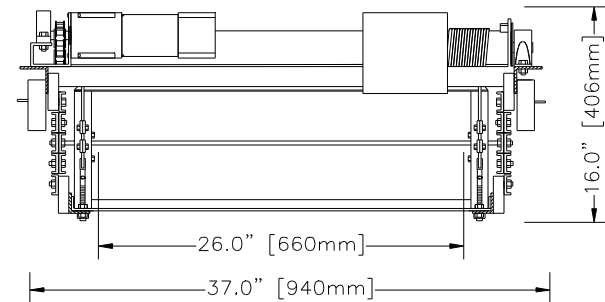
SVS 7 SERIES PROJECTOR LIFTS

(SVS 7-9 SHOWN)

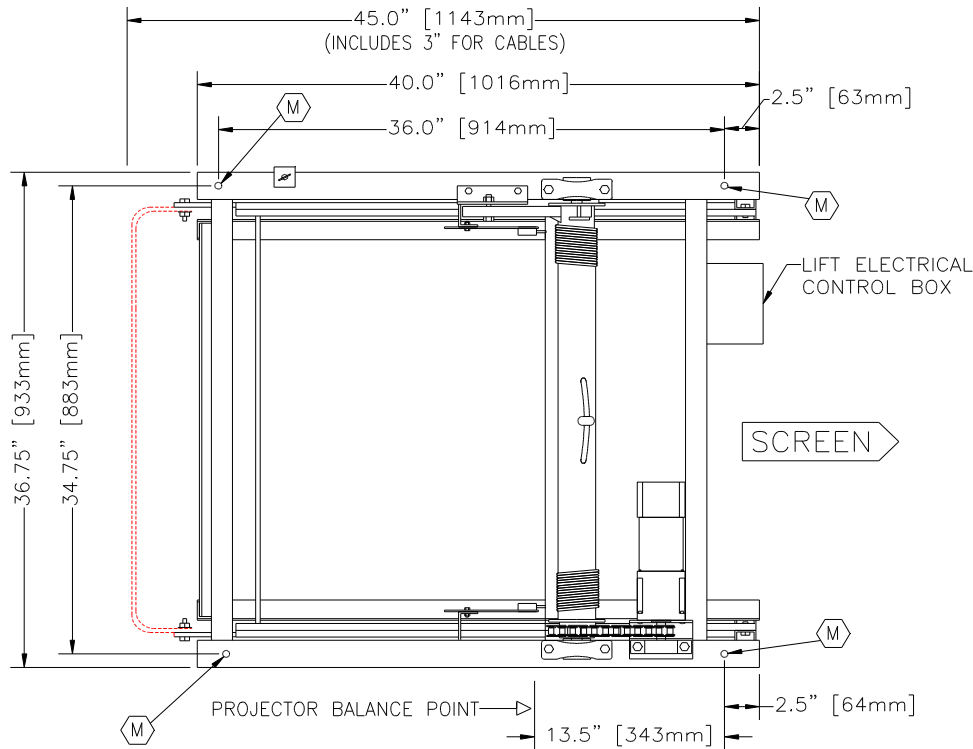
SIDE VIEW



FRONT VIEW



TOP VIEW



(M) = .53" [13.5mm] DIA. MOUNTING HOLE

LIFT HEIGHT DATA		
LIFT MODEL	LIFT MAXIMUM TRAVEL	LIFT HEIGHT (CLOSED)
SVS 7-9	9' [2.7m]	16" [406mm]
SVS 7-11	11'3" [3.4m]	17.5" [445mm]
SVS 7-13	13'6" [4.1m]	19" [483mm]
SVS 7-15	15'9" [4.8m]	20.5" [521mm]

NOTES:

1. PROJECTOR MOUNTS BETWEEN THE LIFT SCISSORS USING A CEILING STYLE PROJECTOR MOUNT. THIS LIMITS THE PROJECTOR (INCLUDING PROJECTOR CABLES) WIDTH TO 26" [660mm].
2. LIFT HEIGHT IN THE CHART ABOVE IS FOR THE LIFT ONLY, DOES NOT INCLUDE PROJECTOR, PROJECTOR MOUNT, ACCESSORIES, OR LIFT SUPPORT STRUCTURE.
3. SVS RECOMMENDS A MINIMUM CEILING OPENING OF 38" [96.5cm] WIDE BY 50" [127cm] DEEP.
4. PLEASE CONTACT SVS FOR THE SPACE REQUIREMENTS USING YOUR PROJECTOR WITH THE SVS 7 LIFT SERIES.

© COPYRIGHT		SCALE APPROX.	SVS INC.	
DRAWN BY:	S.M.	4-96	PROJECT SVS-7 LIFT	
CHECKED BY:	C.H.	4-96	U.S. PATENT # 5,261,645 & # 5,366,203	
DESIGNED BY:	SVS	10-91	DRAWING NO. SVS 7-9.DWG	DESCRIPTION DIMENSIONS
CAGE CODE:	OKPR7	2-89	SERIAL NO. 1205 AND UP	RELEASE DATE JUNE 7, 2018
PHONE:	850-522-4747			