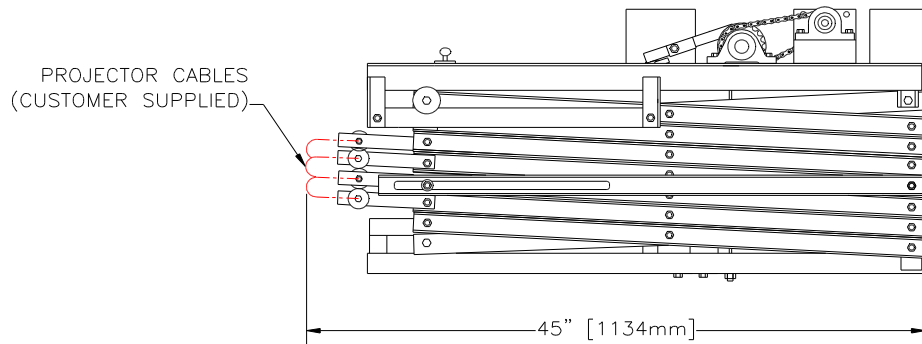
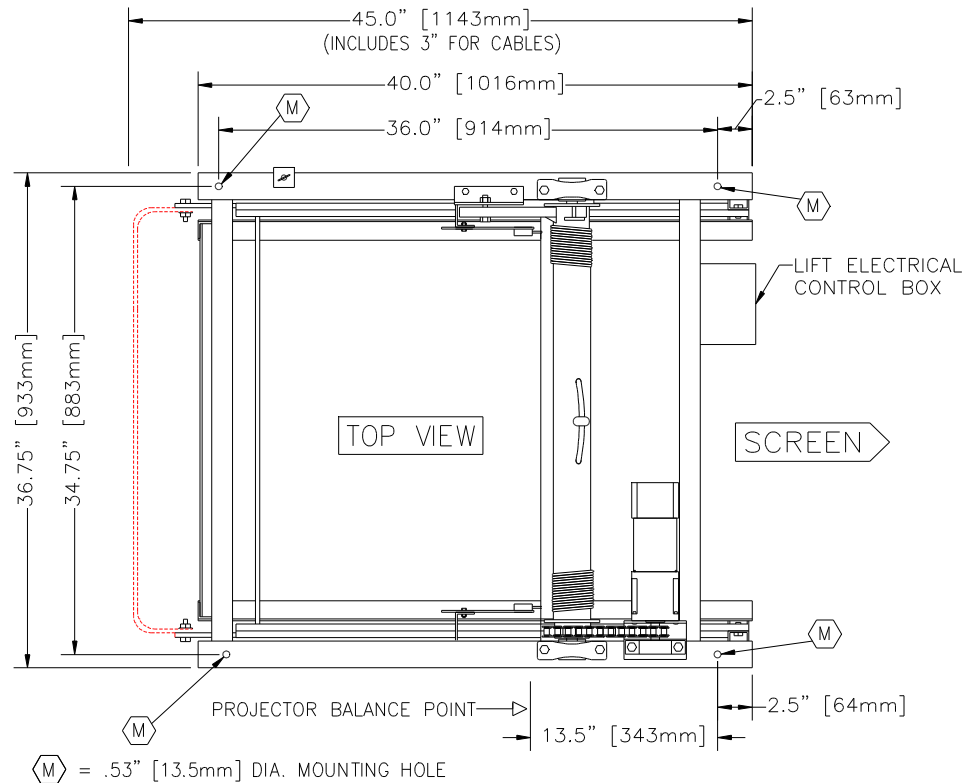
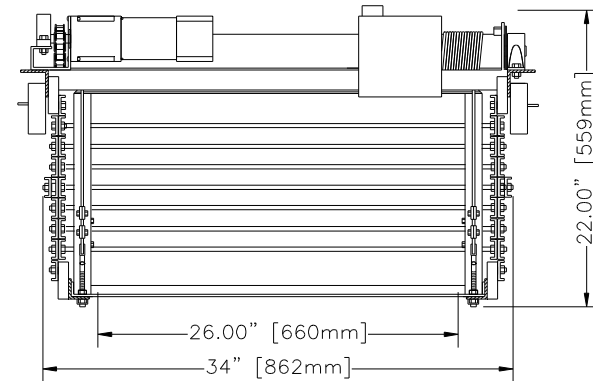


SVS 7-18 PROJECTOR LIFT

SIDE VIEW



FRONT VIEW



LIFT HEIGHT DATA		
LIFT MODEL	LIFT MAXIMUM TRAVEL	LIFT HEIGHT (CLOSED)
SVS 7-18	18' [5.5m]	22" [559mm]
SVS 7-20	20'3" [6.2m]	23.5" [597mm]
SVS 7-22	22'6" [6.9m]	25" [635mm]

NOTES:

1. PROJECTOR MOUNTS BETWEEN THE LIFT SCISSORS USING A CEILING STYLE PROJECTOR MOUNT. THIS LIMITS THE PROJECTOR (INCLUDING PROJECTOR CABLES) WIDTH TO 26" [660mm].
2. LIFT HEIGHT IN THE CHART ABOVE IS FOR THE LIFT ONLY, DOES NOT INCLUDE PROJECTOR, PROJECTOR MOUNT, ACCESSORIES, OR LIFT SUPPORT STRUCTURE.
3. SVS RECOMMENDS A MINIMUM CEILING OPENING OF 38" [96.5cm] WIDE BY 50" [127cm] DEEP.
4. PLEASE CONTACT SVS FOR THE SPACE REQUIREMENTS USING YOUR PROJECTOR WITH THE SVS 7 LIFT SERIES.



© COPYRIGHT	SCALE APPROX.	SVS INC.	
DRAWN BY: S.M.	5-96	PROJECT	SVS-7 LIFT
CHECKED BY: C.H.	5-96	U.S. PATENT # 5,261,645 & # 5,366,203	
DESIGNED BY: SVS	10-91	DRAWING NO. SVS 7-18.DWG	
CAGE CODE: OKPR7	2-89	SERIAL NO.	RELEASE DATE
PHONE: 850-522-4747		1205 AND UP	June 7, 2018