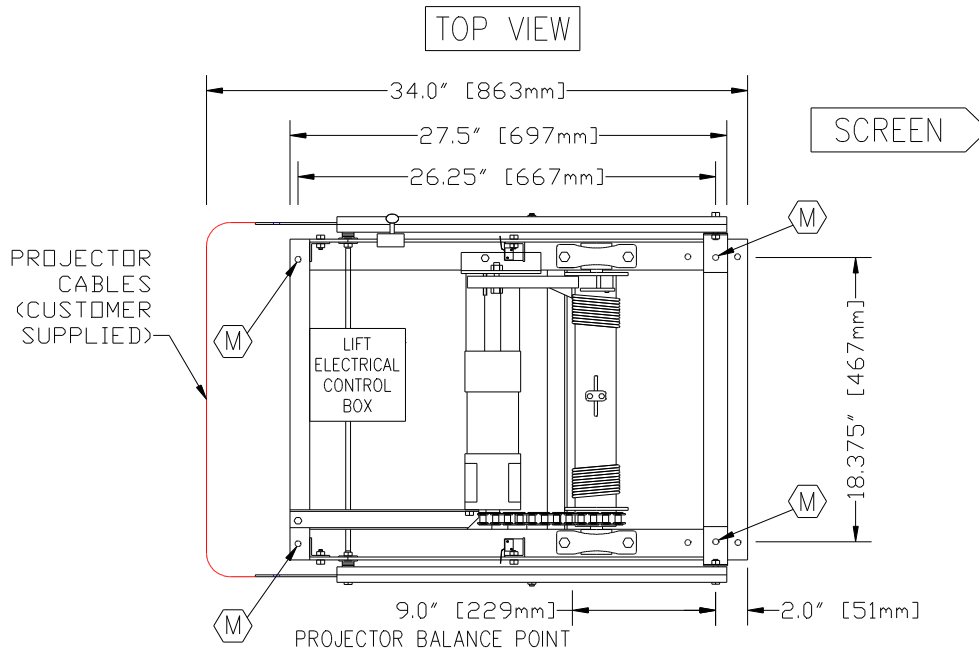
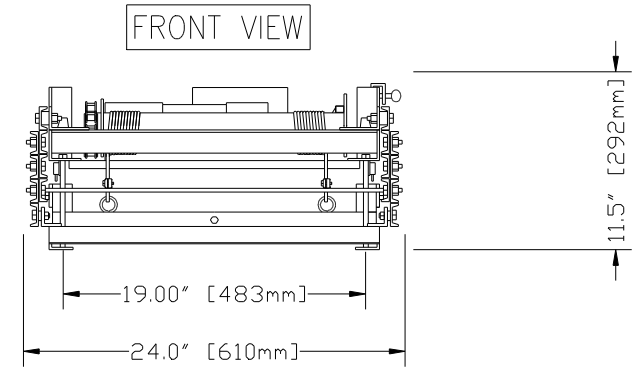
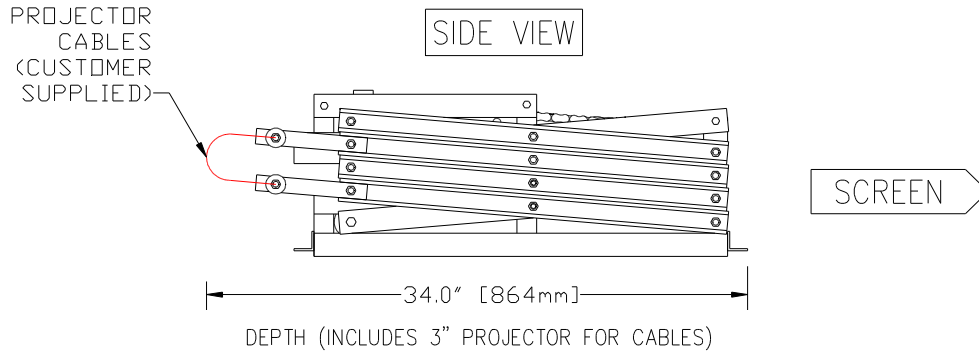


SVS 4 SERIES PROJECTOR LIFTS

(SVS 4-5 LIFT SHOWN)



LIFT HEIGHT DATA		
LIFT MODEL	LIFT MAXIMUM TRAVEL	LIFT HEIGHT (CLOSED)
SVS 4-5	5'6" [1.67m]	11.5" [29mm]
SVS 4-7	7' [2.13m]	13.0" [330mm]
SVS 4-8	8'6" [2.59m]	14.5" [368mm]
SVS 4-10	10' [3.05m]	16.0" [406mm]

NOTES:

1. PROJECTOR MOUNTS BELOW THE LIFT USING A CEILING STYLE PROJECTOR MOUNT. THIS INCREASES THE HEIGHT REQUIRED FOR THE APPLICATION BUT ALLOWS THE PROJECTOR WIDTH TO EXCEED THE LIFT WIDTH.
2. LIFT HEIGHT IN THE CHART ABOVE IS FOR THE LIFT ONLY, DOES NOT INCLUDE PROJECTOR, PROJECTOR MOUNT, ACCESSORIES, OR LIFT SUPPORT STRUCTURE.
3. SVS RECOMMENDS A MINIMUM CEILING OPENING OF 28.5" [73.4CM] WIDE BY 40" [101.6CM] DEEP.
4. PLEASE CONTACT SVS FOR THE SPACE REQUIREMENTS USING YOUR PROJECTOR WITH THE SVS 4 LIFT SERIES.

© COPYRIGHT	SCALE APPROX	SVS INC.	
DRAWN BY: S.M.	4-96	MODEL SVS 4 DIMENSIONS US PATENT #5,261,645 & #5,366,203	
CHECKED BY: C.H.	4-96		
DESIGNED BY: SVS	10-91	DRAWING NO. SVS 4 2018	
CAGE CODE: OKPR7	2-89	SERIAL NO.	RELEASE DATE
PHONE: 850-522-4747		1100 AND UP	MAY 17, 2018

Ⓜ = .53" [13.5mm] DIA. LIFT MOUNTING HOLE