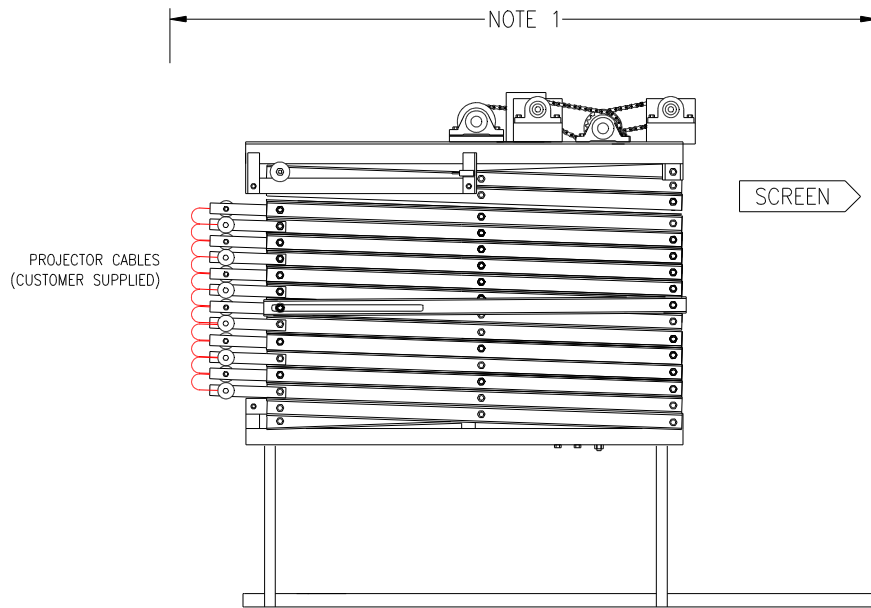


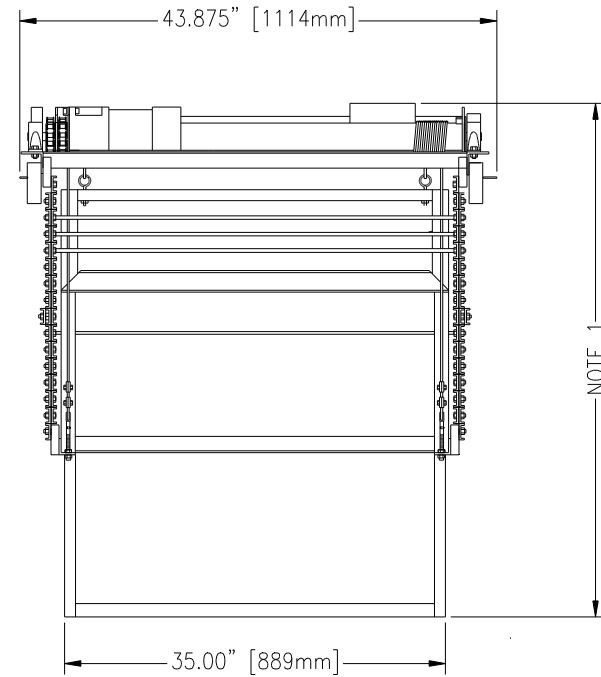
SVS 12HSE SERIES PROJECTOR LIFT

(SVS 12HSE-33 SHOWN)

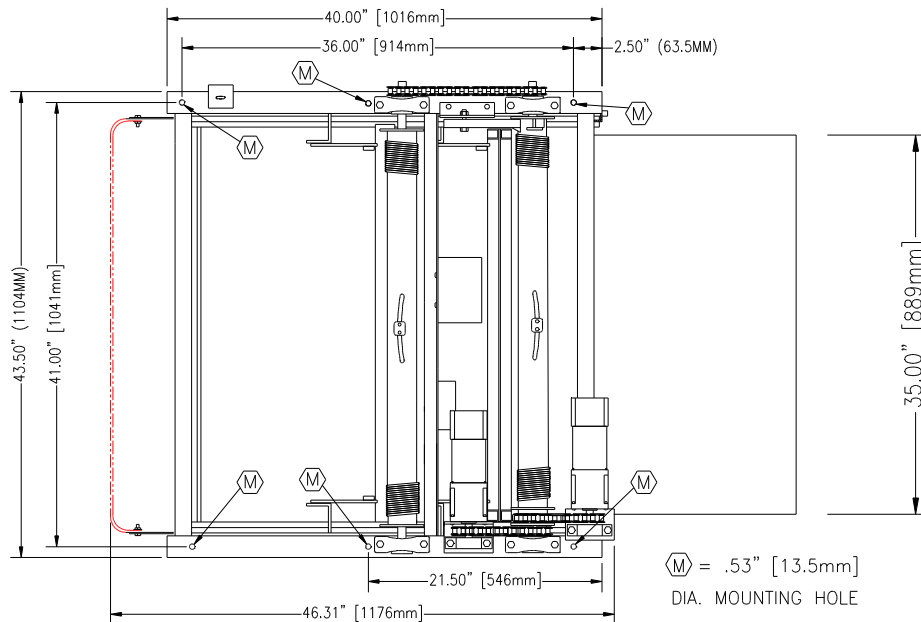
SIDE VIEW



FRONT VIEW



TOP VIEW



NOTE 1 OVERALL HEIGHT AND DEPTH WILL BE DETERMINED THE PROJECTOR USED

© COPYRIGHT	SCALE APPROX.	SVS INC.	
DRAWN BY: S.M.	5-96	PROJECT SVS-12HSE LIFT	
CHECKED BY: C.H.	5-96	U.S. PATENT # 5,261,645 & # 5,366,203	
DESIGNED BY: SVS	10-91	DRAWING NO. SVS 12HSE PROJECTOR LIFT 2018	
CAGE CODE: OKPR7	2-89	SERIAL NO. 7768 AND UP	RELEASE DATE June 21, 2018
PHONE 850-522-4747			