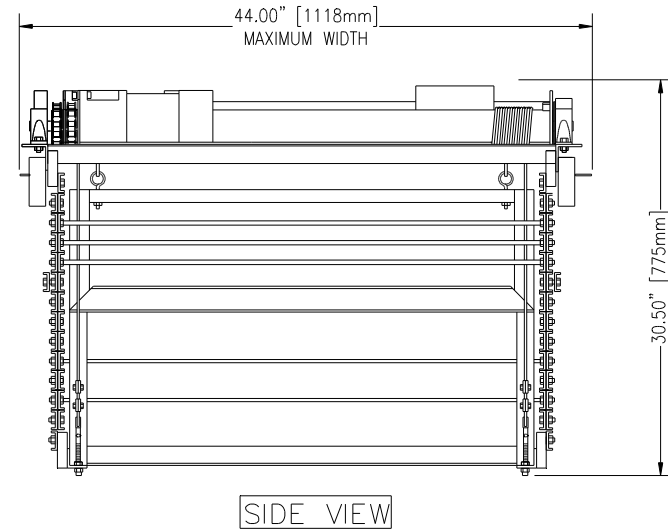
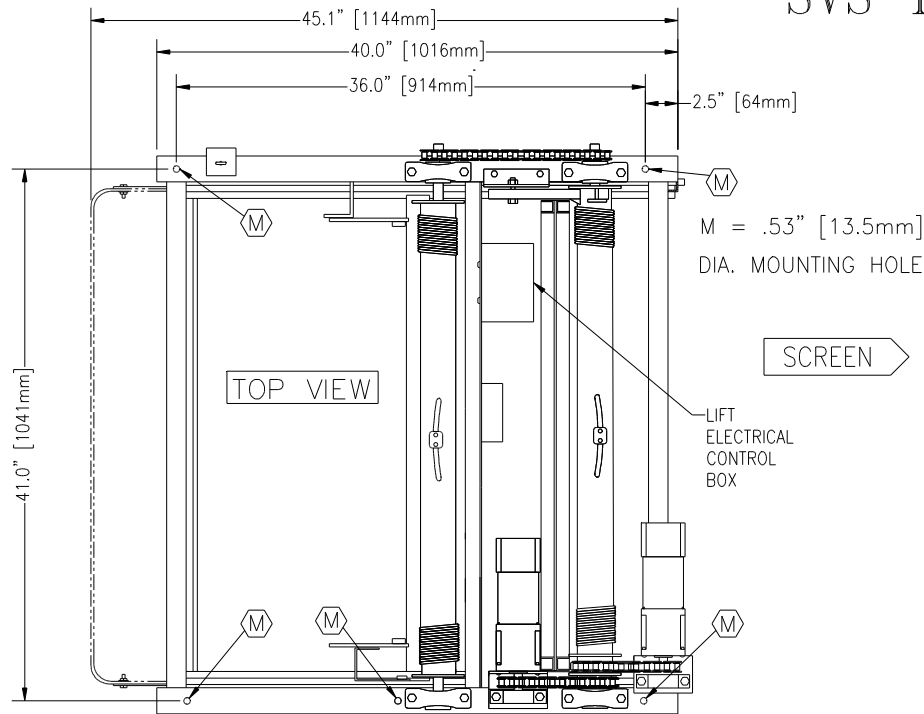


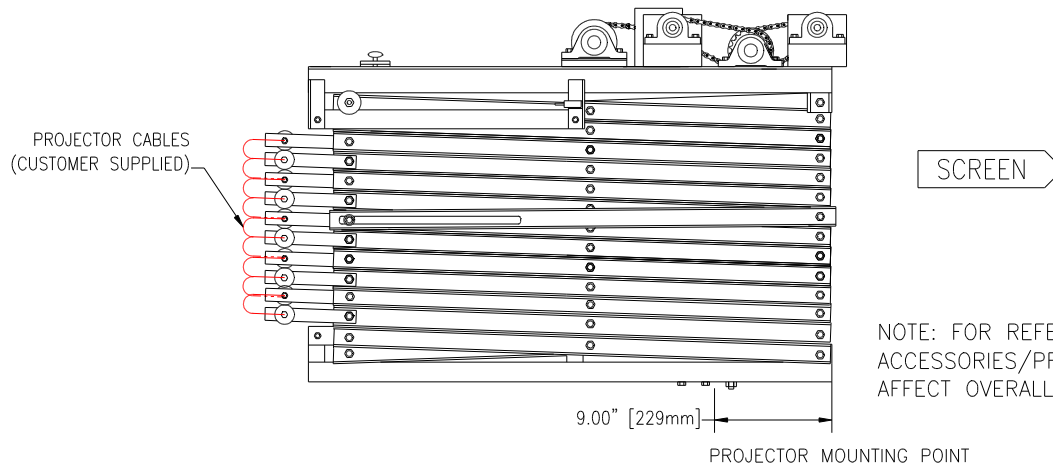
SVS 12EX SERIES PROJECTOR LIFTS

(SVS 12EX-29 SHOWN)



LIFT HEIGHT DATA		
LIFT MODEL	LIFT MAXIMUM TRAVEL	LIFT HEIGHT (CLOSED)
SVS 12EX-24	24'9" [7.59m]	27.5" [724mm]
SVS 12EX-29	29'3" [8.9m]	30.5" [800mm]
SVS 12EX-33	33'8" [10.3m]	33.5" [876mm]

SIDE VIEW



NOTE: FOR REFERENCE ONLY—
ACCESSORIES/PROJECTOR MAY
AFFECT OVERALL DIMENSIONS

NOTES:

- PROJECTOR MOUNTS BETWEEN THE LIFT SCISSORS USING A CEILING STYLE PROJECTOR MOUNT. THIS LIMITS THE PROJECTOR (INCLUDING PROJECTOR CABLES) WIDTH TO 32.5" [660mm].
- LIFT HEIGHT IN THE CHART ABOVE IS FOR THE LIFT ONLY, DOES NOT INCLUDE PROJECTOR, PROJECTOR MOUNT, ACCESSORIES, OR LIFT SUPPORT STRUCTURE.
- LIFT SHOWN WITH DUAL ACCESSORY #7 CABLE RETRACTORS.
- SVS RECOMMENDS A MINIMUM CEILING OPENING OF 47" [119.4cm] WIDE BY 52.5" [133.3cm] DEEP.
- PLEASE CONTACT SVS FOR THE SPACE REQUIREMENTS USING YOUR PROJECTOR WITH THE SVS 12EX LIFT SERIES.

© COPYRIGHT	SCALE APPROX.	SVS INC.	
DRAWN BY: S.M.	5-96	PROJECT SVS-12EX LIFT	
CHECKED BY: C.H.	5-96	U.S. PATENT # 5,261,645 & # 5,366,203	
DESIGNED BY: SVS	10-91	DRAWING NO. SVS 12EX Projector Lift	
CAGE CODE: OKPR7	2-89	SERIAL NO.	RELEASE DATE
PHONE: 303-766-9505		1205 AND UP	June 21, 2018