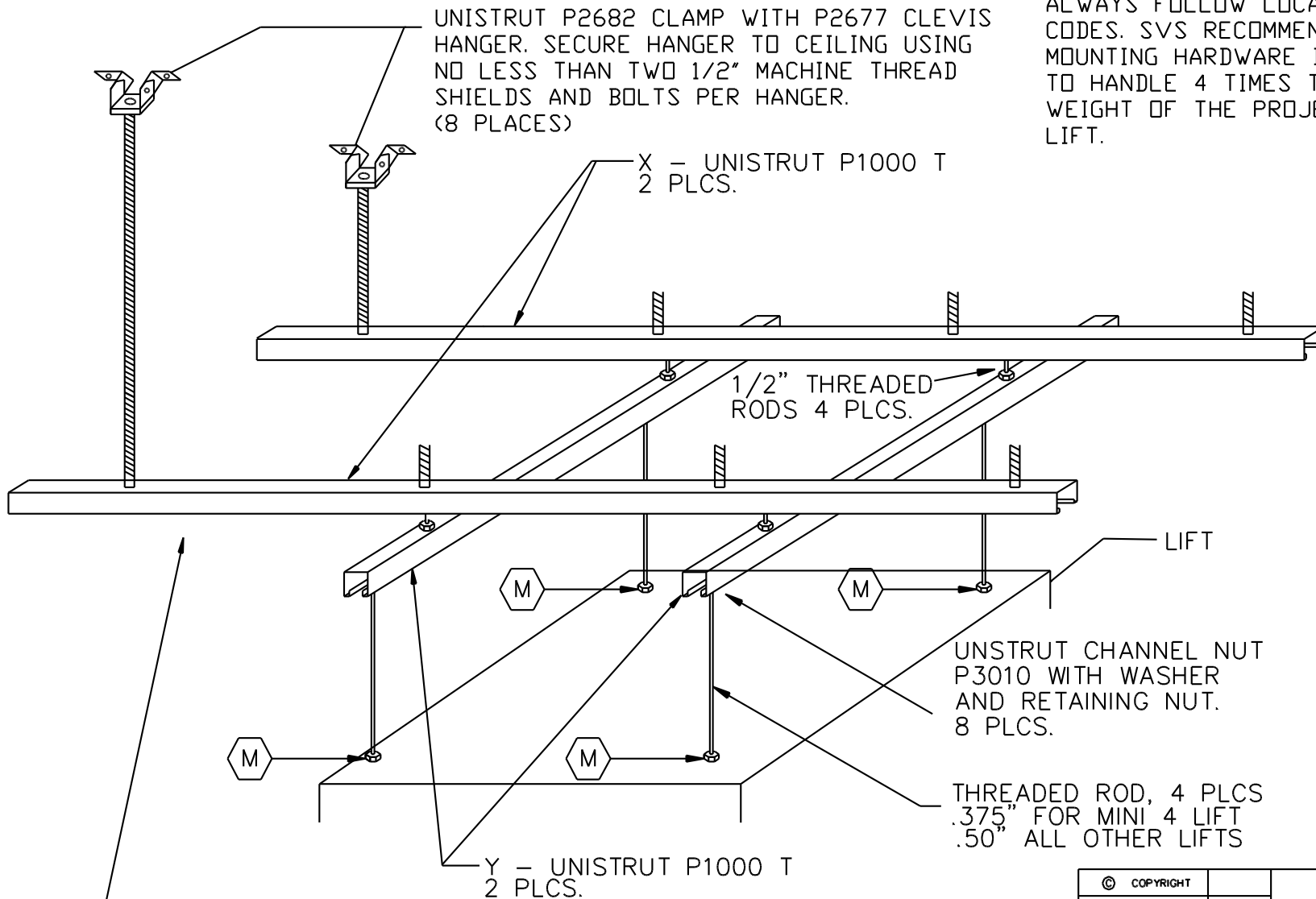


LIFT SUPPORT STRUCTURE

FOR PROJECTOR LIFT MOUNTING ON SLOPED CEILINGS

ALWAYS FOLLOW LOCAL BUILDING CODES. SVS RECOMMENDS ALL MOUNTING HARDWARE BE RATED TO HANDLE 4 TIMES THE WEIGHT OF THE PROJECTOR AND LIFT.



USE 10' LENGTH WHEN POSSIBLE ON EACH X AXIS

© COPYRIGHT		SVS INC.	
DRAWN BY:	D.L./D.B.	7-02	PROJECT PROJECTOR LIFTS
CHECKED BY:	C.H.	8-91	U.S.PATENT # 5,261,645
DESIGNED BY:	SVS	8-91	DRAWING NO. CEILMT_SLOPED
CAGE CODE:	OKPR7	2-89	DESCRIPTION SLOPED CEILING
PHONE:	850-522-4747		SCALE: APPROX.
			RELEASE DATE 6/03

MOUNTING MATERIALS NOT SUPPLIED BY SVS, INC.