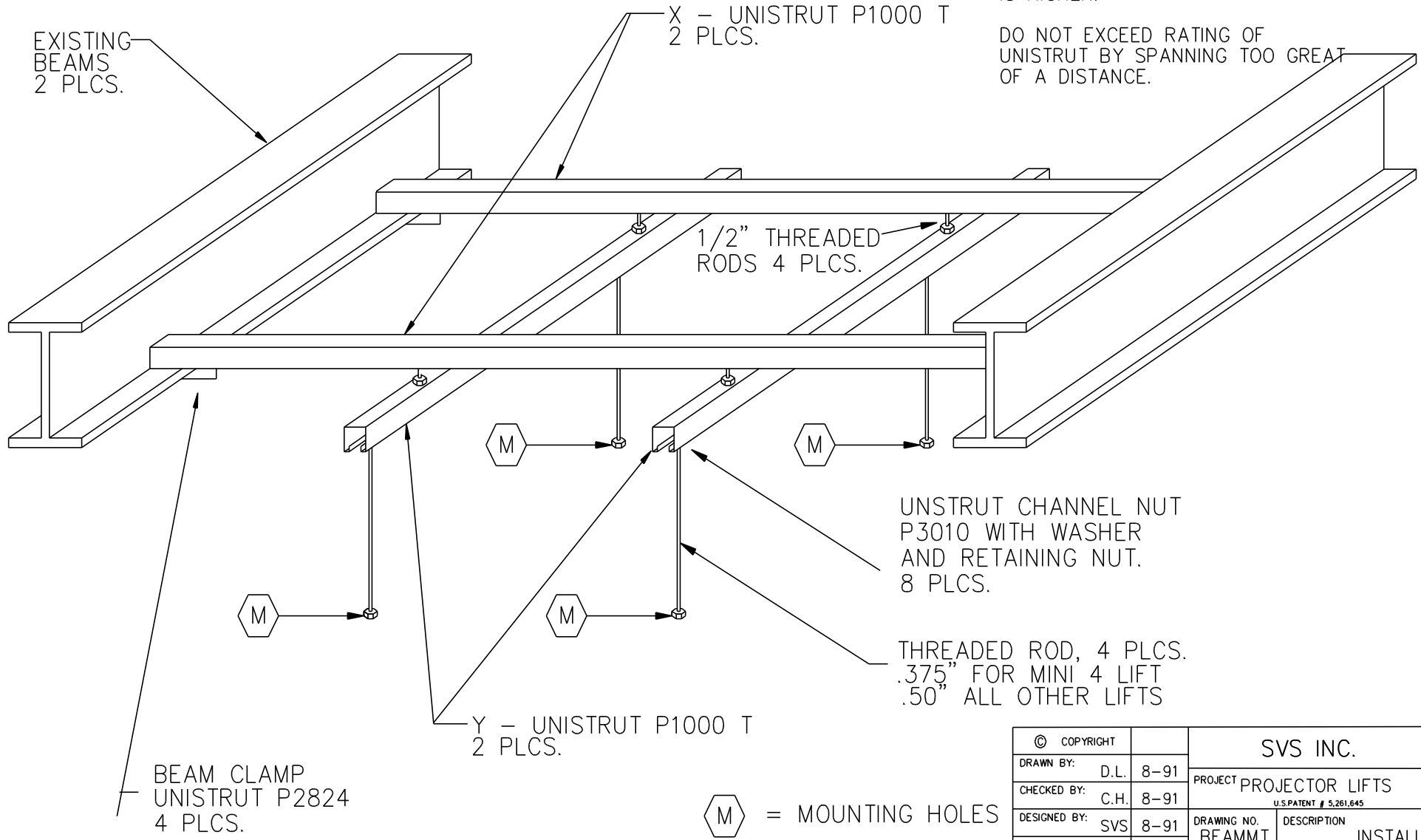


# LIFT SUPPORT STRUCTURE

## FOR MOUNTING PROJECTOR LIFT ON EXISTING BEAMS

ALWAYS FOLLOW THE LOCAL BUILDING CODES. SVS RECOMMENDS THAT ALL MOUNTING HARDWARE IS RATED TO HANDLE 4 TIMES THE WEIGHT OF THE PROJECTOR AND LIFT OR WHICH EVER NUMBER IS HIGHER.

DO NOT EXCEED RATING OF UNISTRUT BY SPANNING TOO GREAT OF A DISTANCE.



|              |              |                |   |
|--------------|--------------|----------------|---|
| © COPYRIGHT  |              | SVS INC.       |   |
| DRAWN BY:    | D.L.         | 8-91           | PROJECT PROJECTOR LIFTS<br><small>U.S. PATENT # 5,261,645</small> |
| CHECKED BY:  | C.H.         | 8-91           |   |
| DESIGNED BY: | SVS          | 8-91           | DRAWING NO. BEAMMT  |
| CAGE CODE:   | OKPR7        | 2-89           | DESCRIPTION INSTALL   |
| PHONE:       | 850-522-4747 | SCALE: APPROX. | RELEASE DATE 6-03   |

\* MOUNTING MATERIALS NOT SUPPLIED BY SVS, INC.