

SVS CEILING LIFTS

For Projectors up to 32.5" Wide

SVS Mini 7EX Series



PRODUCT FEATURES

- Supports projectors up to 32.5" Wide [825.5mm] -width must video cable connections if on the side of projector
- Ideal Solution for installations with restricted space (projector installed inside the lift – between scissors- to minimize vertical height)
- Lowering distances from 4'9" to 7' [1.45m to 2.13 m]
- Lifting capacity up to 400 lbs [181.44 kg]
- Three positions: Stored, Show (adjustable) & Service
- Includes 24VAC wall plate controller for low voltage control & standard video cable management system
- Very quiet operation
- Warranty: 5 Year parts, 1 year motor & 90 day factory labor

SPECIFICATIONS

LIFT MODEL	MAXIMUM LOWERING DISTANCE	VERTICAL HEIGHT OF LIFT IN CLOSED POSITION (1) (CEILING CLOSURE NOT INCLUDED)	INSIDE VERTICAL CLEARANCE FOR PROJECTOR AND PROJECTOR MOUNT	PHYSICAL DIMENSIONS		NET WEIGHT	SHIPPING WEIGHT
				WIDTH	DEPTH		
Mini 7EX-4	4'9" /1.45m	16" /406mm	11.5" /292.1 mm	Top Frame: 47" /1194mm	34" /864 mm* (*Includes 3" for cable mgt)	150 lbs/ 68 kg	240 lbs/ 109 kg
Mini 7EX-6	6' /1.83m	17.5" /445mm	13" / 330.2 mm	Bottom Frame: 39" /991mm		165 lbs/ 75 kg	250 lbs/ 113 kg
Mini 7EX-7	7' /2.13m	19" /483mm	14.5" /368.3 mm			180 lbs/ 82 kg	255 lbs/ 116 kg

(1) Vertical height may vary depending on height of projector. Supporting structure is additional

STANDARD SPECIFICATIONS

Voltage	110v/220V, 60/50hz
Current Draw	1.5 amps [110v], .75 amps [220v]
Control Voltage	24 VAC (contact closure)
Materials	Steel/Aluminum/Nylon

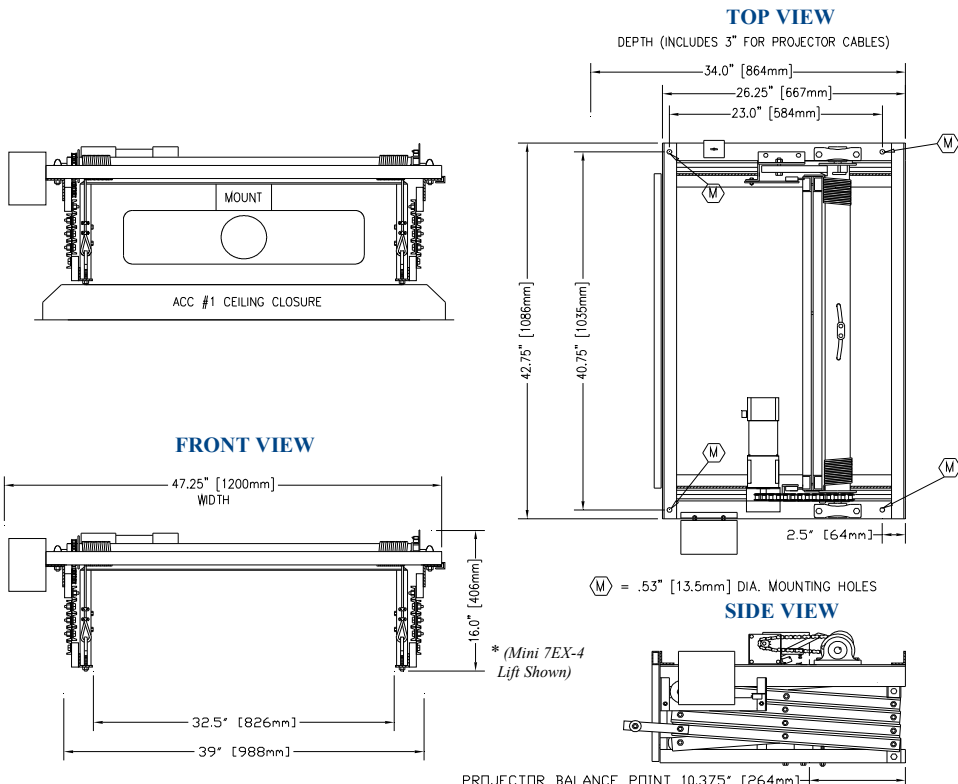
RECOMMENDED ACCESSORIES

#1 Ceiling Closure – Self-aligning closure system complete with ceiling framework. Supplied with 15/16" ceiling trim ring. Designed to accept ceiling tile or dry wall ceiling. Supplied unpainted.

FP1 Ceiling Closure -Fixed mounted flat closure panel- Lipped or Lipless. Supplied with 15/16" ceiling trim ring. Ceiling material attaches to the bottom of the panel or closure can be painted. Supplied unpainted.

#2 Plenum Shroud – Protective metal cover for lift & projector in air plenum rated ceiling.

#9 Mount - Mounting bracket used to attach the projector to the saddle of the lift in an inverted position (model varies with the projector model).



U.S. Patent No. 5,261, 645 & 5, 366,203

Eastern Sales/ Main Office
Tel: 850-522-4747
Fax: 850-522-4739

Western Sales Office
Tel: 720-283-6410
Fax: 720-283-6424

International Sales Office
Tel: 001-720-283-6410
Fax: 001-720-283-6424

www.svslifts.com
sales@svslifts.com