

SVS CEILING LIFTS

For Projectors up to 17" W x 20" D with lens

SVS Mini 4 (2x2) Series



PRODUCT FEATURES

- Supports projectors up to 17" Wide x 20" Deep [432 mm x 508mm]- depth must include lens and video cable connections
- Lowers through a 24" x 24" opening [610 mm x 610 mm]
- Lowering distances from 3'6" to 6' [1.07 m to 1.83m]
- Lifting Capacity up to 200 lbs [90.75 kg]
- Three positions: Stored, Show (adjustable) & Service
- Includes 24VAC wall plate controller for low voltage control, #16 video cable management system and 2x2 lipless ceiling closure (M4#1A).
- Very quiet operation
- Warranty: 5 Year parts, 1 year motor & 90 day factory labor

SPECIFICATIONS

LIFT MODEL	MAXIMUM LOWERING DISTANCE	VERTICAL HEIGHT OF LIFT IN CLOSED POSITION (1) LIFT ONLY	PHYSICAL DIMENSIONS			
			WIDTH	DEPTH	NET WEIGHT	SHIPPING WEIGHT
MINI 4-3 (2x2)	3'6" /1.07 m	12" /305 mm	19.38" /492 mm	19.5" /495 mm	100 lbs /45.36 kg	140 lbs /63.5 kg
MINI 4-5 (2x2)	4'9" /1.45m	15" /381mm			110 lbs /49.90 kg	150 lbs /68 kg
MINI 4-6 (2x2)	6'0" /1.83m	18" /457 mm			120 lbs /54.43 kg	180 lbs /81.64 kg

(1) Vertical height does not include projector, projector mount and ceiling closure. Supporting structure is additional

STANDARD SPECIFICATIONS

Voltage 110v/220V, 60/50hz
Current Draw .3 amps [110v], .15 amps [220v]
Control Voltage 24 VAC (contact closure)
Materials Steel/Aluminum/Nylon

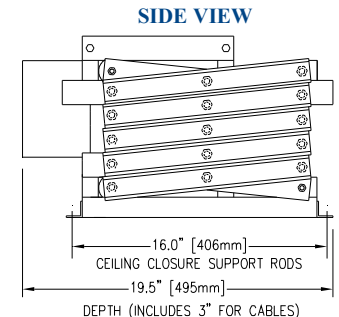
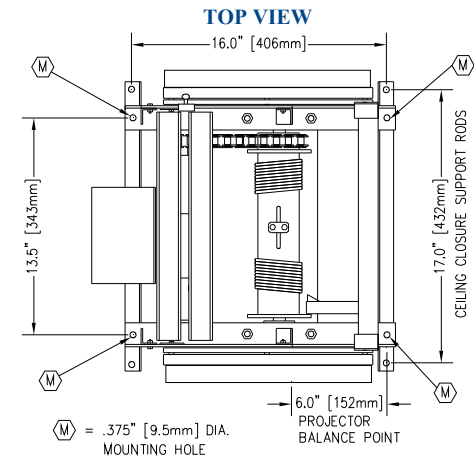
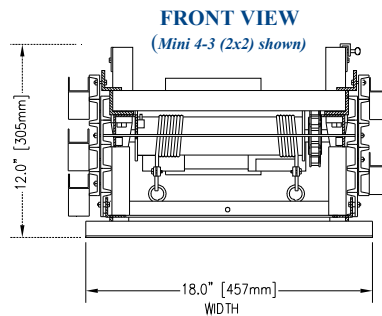
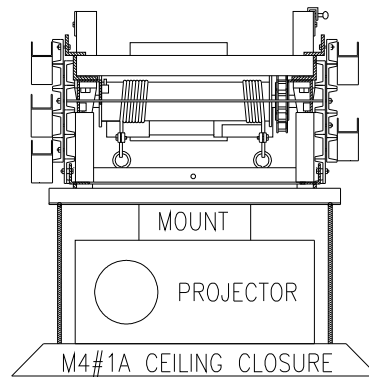
RECOMMENDED ACCESSORIES

M4#1A – Lipless spring-loaded ceiling closure for a 2X2 ceiling opening. Models for 15/16" or 9/16" Ceiling T-Bar. Can be used with dry wall ceiling- supplied unpainted.

FP1 Ceiling Closure -Lipped or Lipless fixed mounted ceiling closure panel for a 2X2 opening- Models for both 9/16" & 15/16" T-Bar. Can be used with dry wall ceiling. Supplied unpainted.

#2 Plenum Shroud – Protective Metal cover for lift & projector in air plenum rated ceiling.

#9 Mount - Mounting bracket used to attach the projector to the saddle of the lift in an inverted position (model varies with the projector model).



U.S. Patent No. 5,261, 645 & 5, 366,203

Eastern Sales/ Main Office
 Tel: 850-522-4747
 Fax: 850-522-4739

Western Sales Office
 Tel: 720-283-6410
 Fax: 720-283-6424

International Sales Office
 Tel: 001-720-283-6410
 Fax: 001-720-283-6424

www.svslifts.com
 sales@svslifts.com