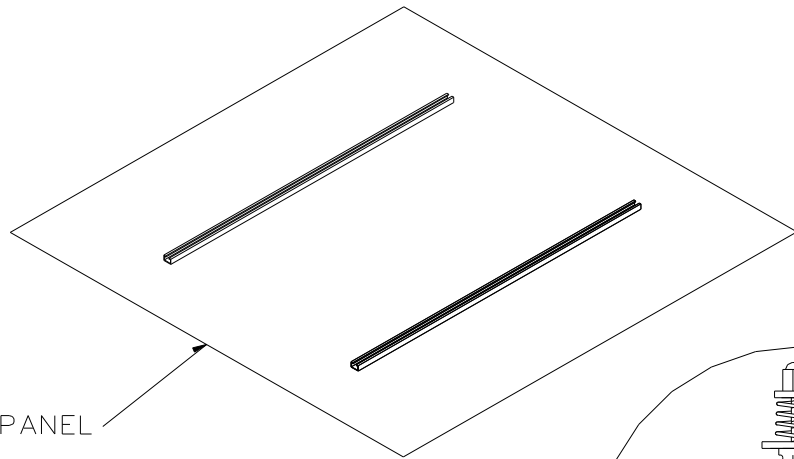
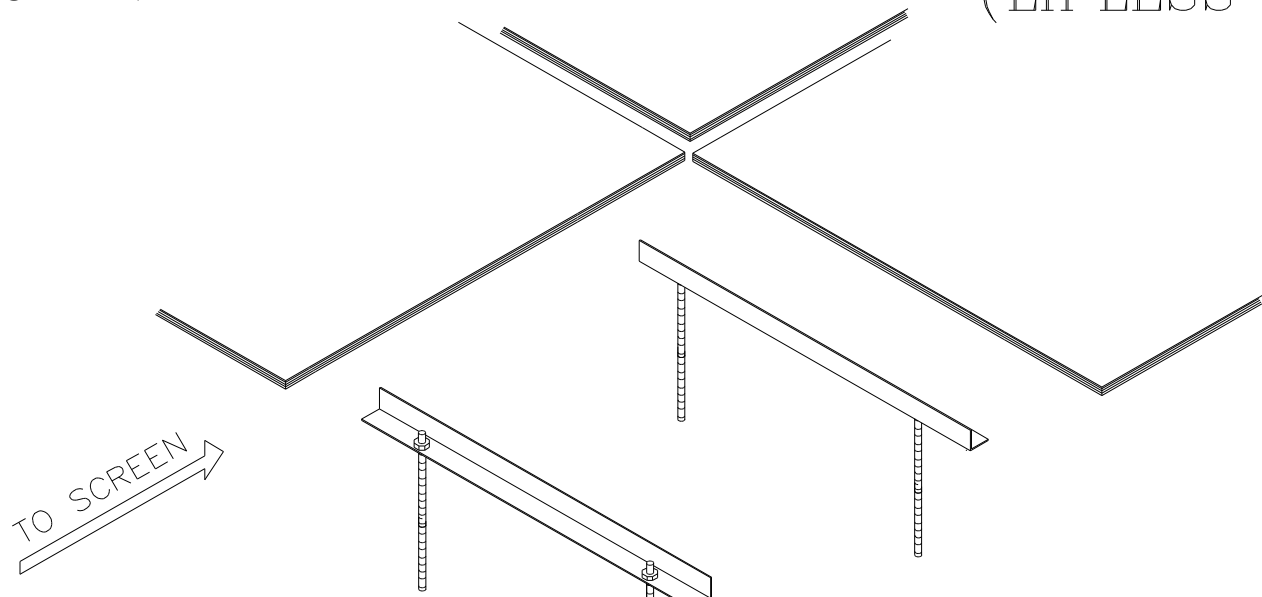


SVS FP1 2X2 9/16" CEILING CLOSURE (LIPLESS MODEL)

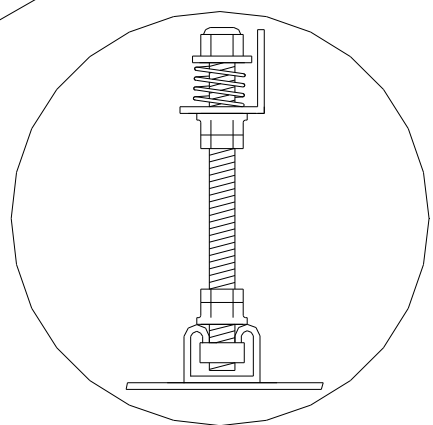
FOR USE WITH SVS M2X OR MINI 4 2X2
SERIES LIFTS



CLOSURE PANEL
(23 1/4"W X 23 1/4"D)

ANGLE IRON
(MINI 4 SERIES ONLY)

THREADED ROD



SVS CEILING CLOSURE BREAKDOWN (VIEW FROM THE TOP)

© COPYRIGHT			SVS INC.	
DRAWN BY:	D.L.	4-93	MODEL SVS CEILING CLOSURE	
CHECKED BY:	C.H.	4-93	DRAWING NO.	
DESIGNED BY:	SVS	4-93	FP1 2X2 9/16" CLOSURE	
CAGE CODE:	OKPR7	2-89	SERIAL NO.	RELEASE DATE
PHONE:	850-522-4747		500 AND UP	5/15/08