

# SVS FP1 CEILING CLOSURE

CUT HOLE SIZE TO: \_\_\_\_\_ " W X \_\_\_\_\_ " D

USING SVS MODEL: \_\_\_\_\_

WITH SCREEN: \_\_\_\_\_

ACCESSORIES:

- FP#1 CEILING CLOSURE
- #2 PLENUM SHROUD
- #9 MOUNT
- DECO. COVER  30"  60"

\_\_\_\_\_  
 \_\_\_\_\_

TABS (8 EACH) FOLD OVER CEILING TO HOLD CEILING TRIM FRAME IN PLACE.

CEILING TRIM FRAME

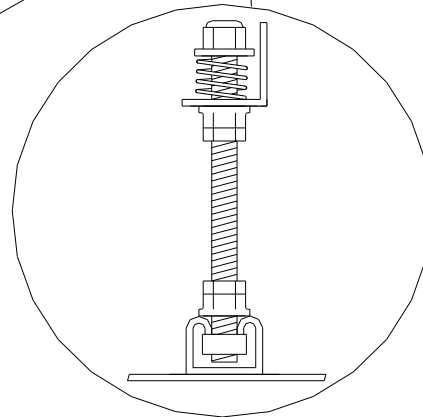
ANGLE IRON  
 (SVS 4 & MINI 4 MODELS ONLY)

THREADED ROD

## SVS CEILING CLOSURE BREAKDOWN (VIEW FROM THE TOP)

TO SCREEN →

CLOSURE PANEL



© COPYRIGHT		SVS INC.	
DRAWN BY:	D.L.	4-93	MODEL SVS CEILING CLOSURE
CHECKED BY:	C.H.	4-93	
DESIGNED BY:	SVS	4-93	DRAWING NO. FP1 CLOSURE
CAGE CODE:	OKPR7	2-89	DESCRIPTION ASSEMBLY DWG.
PHONE:	850-522-4747	SERIAL NO. 500 AND UP	RELEASE DATE 2/05/08