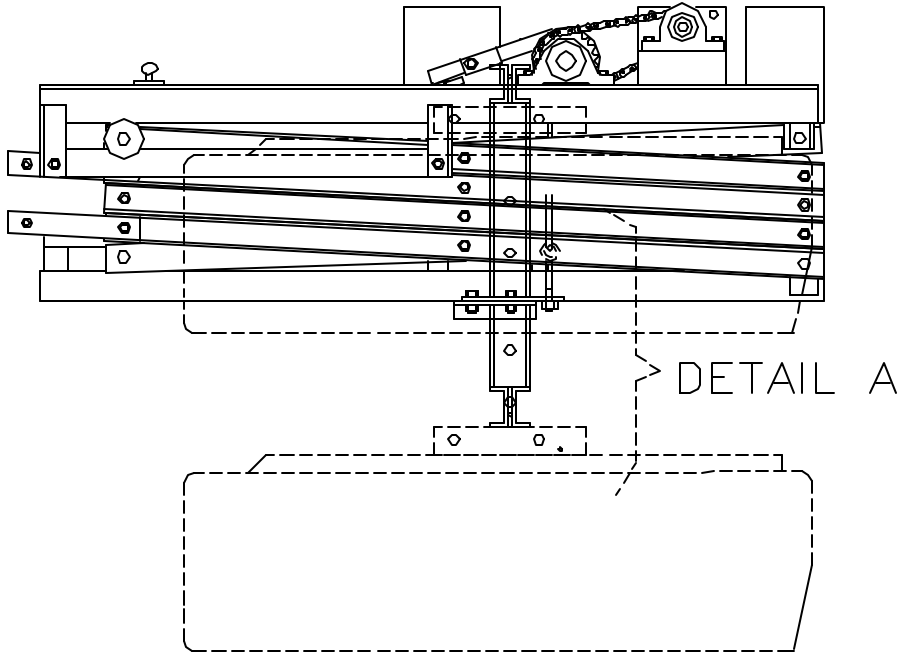


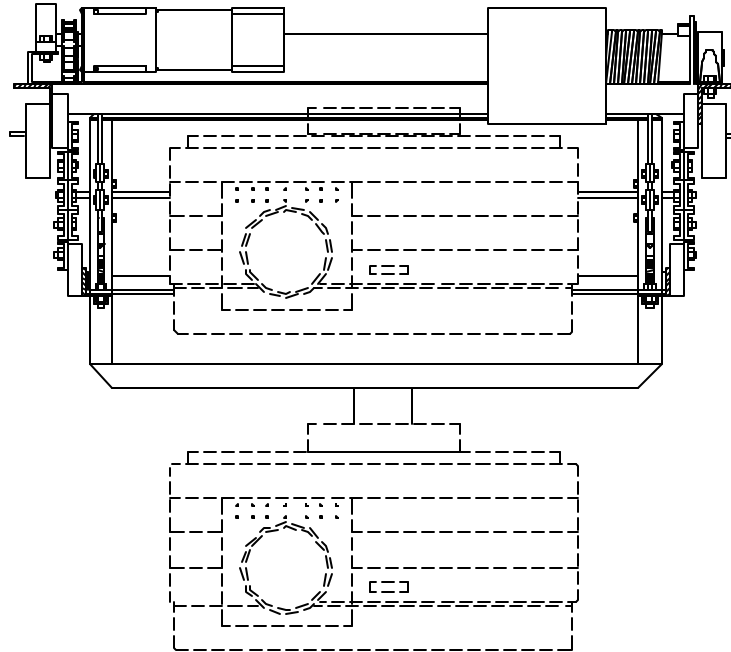
#10 DUAL STACK MOUNT

(SVS MINI 7 SERIES PROJECTOR SHOWN)

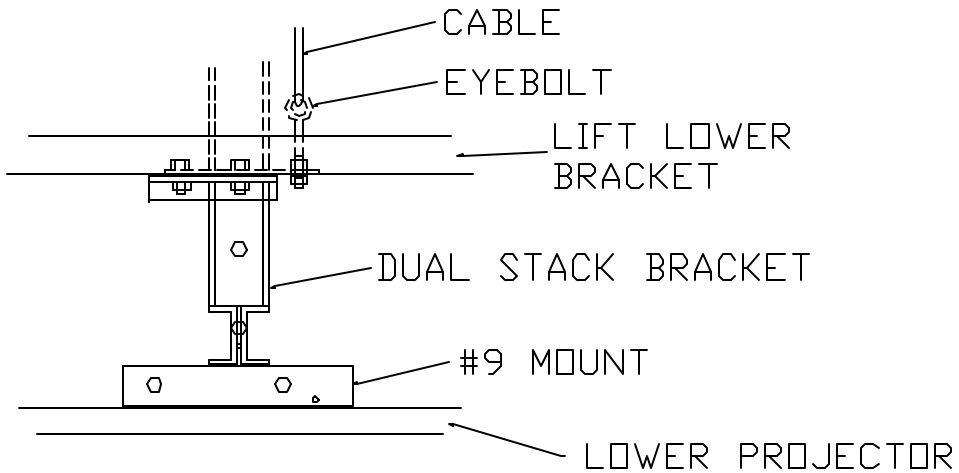
SIDE VIEW



FRONT VIEW



DETAIL A
SIDE VIEW



NOTE:

INSTALL STACK MOUNT BEHIND EYE BOLT AS SHOWN. DO NOT REMOVE EYE BOLTS.

REPLACE 4 NYLON LOCK NUT (SUPPLIED) WHEN ATTACHING BOTTOM PART OF STACK MOUNT.

DO NOT ATTACH ANY PROJECTORS TILL STACK MOUNT IS COMPLETELY INSTALLED AND TIGHTENED.

THEN INSTALL PROJECTORS.

© COPYRIGHT			SVS INC.	
DRAWN BY:	DB	7-02	MODEL SVS LIFTS ACCESSORY #10	
CHECKED BY:	SD	7-02	U.S. PATENT# 5,261,645	
DESIGNED BY:	SVS	7-02	DRAWING NO.	DESCRIPTION
CAGE CODE:	OKPR7	2-89	DUALSTACK	STACK MOUNT
PHONE:	850-522-4747			RELEASE DATE
				7-02