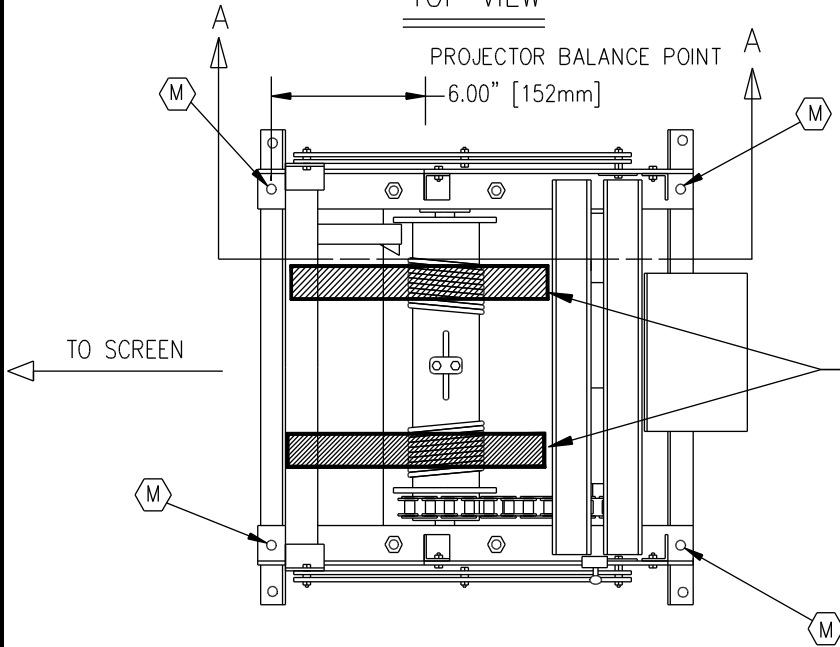


SVS MINI 4 & 4 SERIES PROJECTOR LIFTS ATTACH POINTS (SVS MINI 4-3 SHOWN)

TOP VIEW

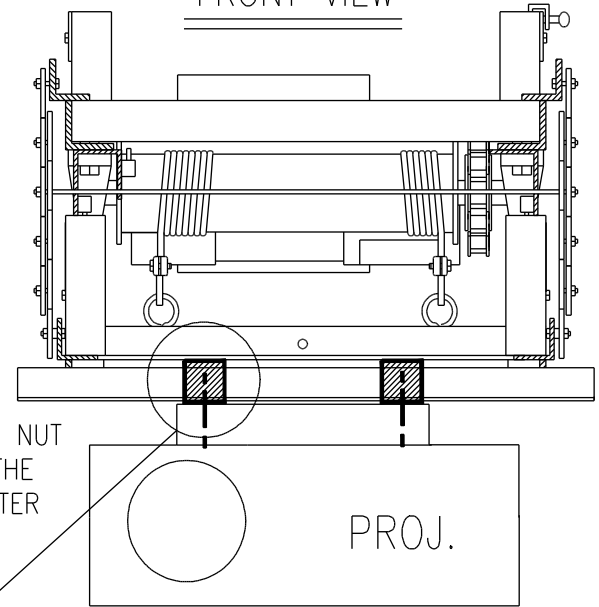
PROJECTOR BALANCE POINT
6.00" [152mm]



M = .375" [9.5mm] DIA.
MOUNTING HOLE

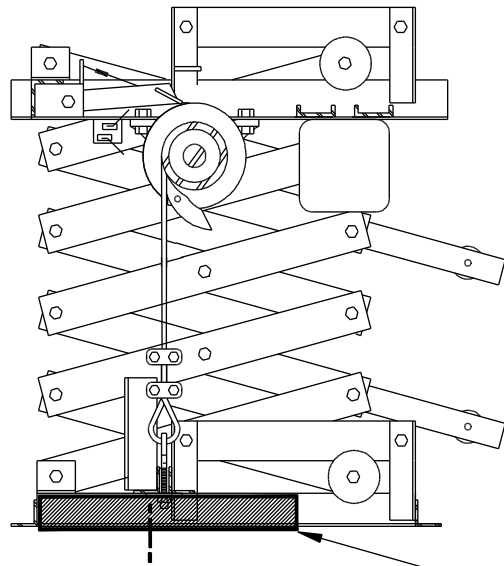
MOUNT ADAPTORS

FRONT VIEW

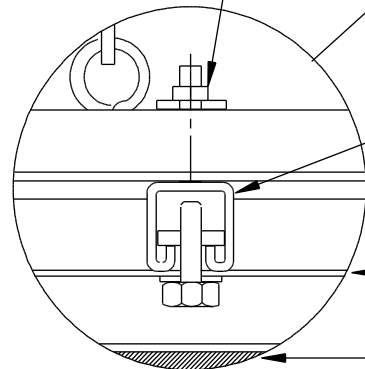


LOOSEN THIS NUT
TO ADJUST THE
MOUNT ADAPTER
POSITION.

PROJ.



SECTION A-A
INSIDE VIEW (LIFT IN SHOW POSITION)



CEILING MOUNT/PROJECTOR ATTACH POINT

MOUNT ADAPTOR & HARDWARE
($\frac{5}{16}$ " BOLT (GRADE 5), SQUARE
UNISTRUT NUT, & WASHER)

CEILING MOUNT

PROJECTOR

MOUNT ADAPTOR

© COPYRIGHT		SCALE: APPROX.	SVS, INC.	
DRAWN BY:	S.M.	4-96	MODEL MINI 4 PROJECTOR LIFT	
CHECKED BY:	C.H.	4-96	US PATENT #5,261,645 & #5,366,203	
DESIGNED BY:	SVS	4-92	DRAWING NO. 4&M4ATTACHPOINTS.DWG	
CAGE CODE:	OKPR7	2-89	SERIAL NO. 1000 AND UP	RELEASE DATE 4/27/06
PHONE:	850-522-4747			