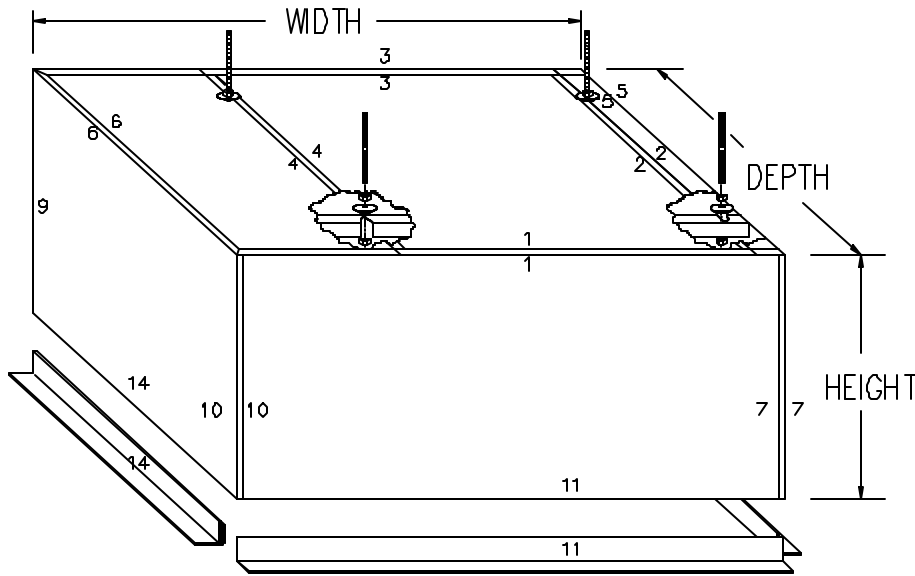


SVS ACCESSORY #2 PLENUM SHROUD (MINI 7 SERIES)



INSTALL INSPECTION HOLE CLOSE TO MOTOR
IF THERE IS NO ACCESS TO UPPER CEILING.
DO NOT FRAME IN SIDES OF SHROUD, SO
THEY CAN BE REMOVED FOR SERVICE.

USING SVS MODEL: _____

WITH PROJECTOR: _____

- #1 CEILING CLOSURE
- #2 PLENUM SHROUD
- #9 MOUNT
- DECO. COVER 30" 60"

SHROUD HEIGHT CAN BE SHORTENED WITH
TIN SNIPS OR SVS CAN SUPPLY EXTENSION
TO INCREASE FOR LARGER PROJECTORS.
PLEASE SPECIFY WHEN ORDERING.

© COPYRIGHT	SCALE: APPROX.	SVS INC.	
DRAWN BY: D.L.	8-91	PROJECT SVS-MINI 7	
CHECKED BY: C.H.	8-91	DRAWING NO. M7SHROUD	DESCRIPTION PLENUM SHROUD
DESIGNED BY: SVS	8-91	SERIAL NO. 300	RELEASE DATE 10-95
CAGE CODE: OKPR7	2-89		
PHONE: 850-522-4747			

SVS ACCESSORY #2 PLENUM SHROUD (MINI 7 SERIES)