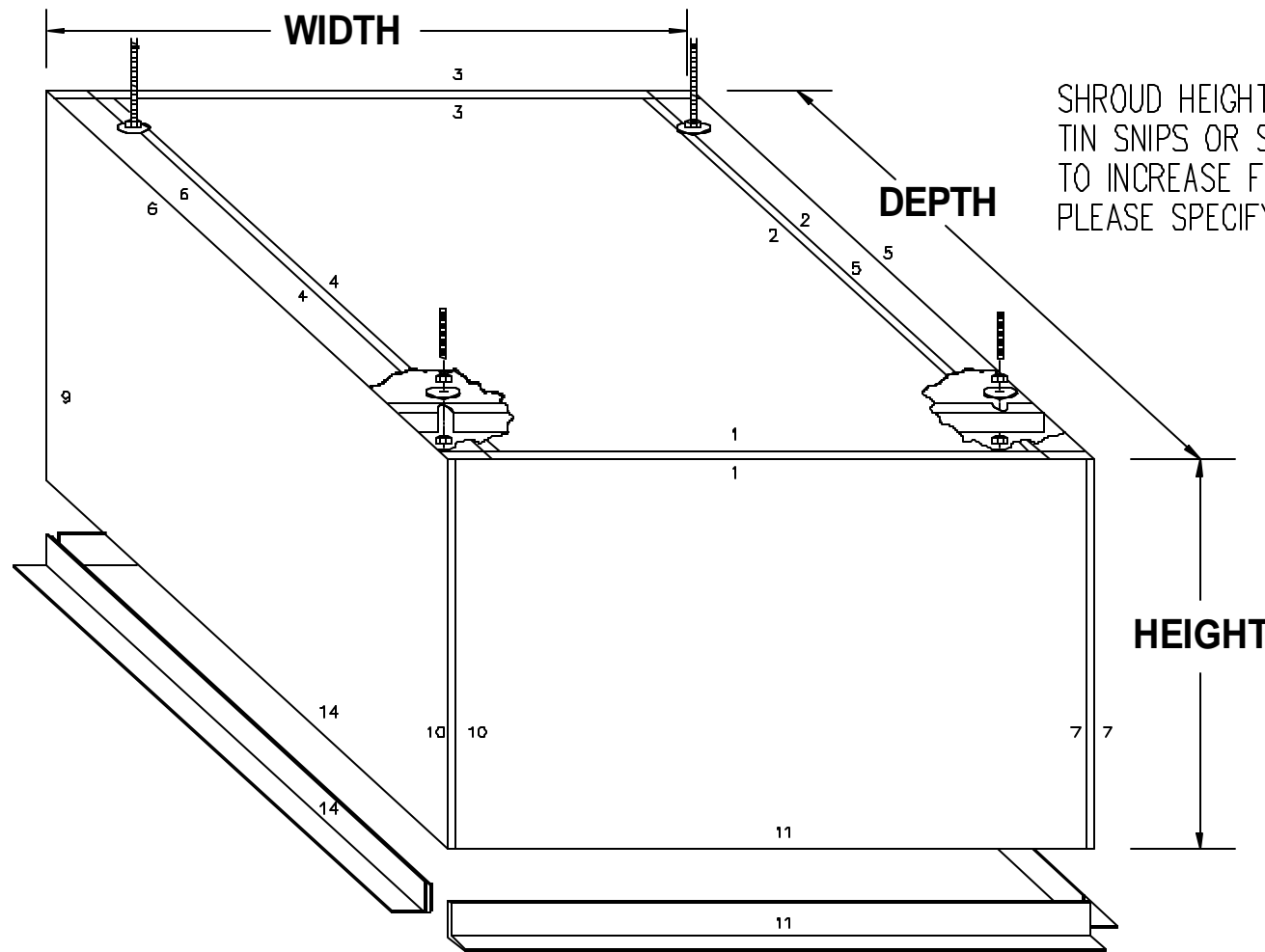


SVS ACCESSORY #2 PLENUM SHROUD (SVS 7 SERIES)



SHROUD HEIGHT CAN BE SHORTENED WITH TIN SNIPS OR SVS CAN SUPPLY EXTENSION TO INCREASE FOR LARGER PROJECTORS. PLEASE SPECIFY WHEN ORDERING.

USING SVS MODEL: _____

WITH PROJECTOR: _____

#1 CEILING CLOSURE

#2 PLENUM SHROUD

#9 MOUNT

DECO. COVER 30" 60"

INSTALL INSPECTION HOLE CLOSE TO MOTOR IF THERE IS NO ACCESS TO UPPER CEILING. DO NOT FRAME IN SIDES OF SHROUD, SO THEY CAN BE REMOVED FOR SERVICE.

© COPYRIGHT			SVS INC.	
DRAWN BY:	D.L.	8-91	PROJECT SVS 7 & 7EX LIFTS	
CHECKED BY:	C.H.	8-91	<small>US PATENT # 4,261,848 & #5,266,263</small>	
DESIGNED BY:	SVS	8-91	DRAWING NO.	DESCRIPTION
CAGE CODE:	CKPR7	2-89	7SHROUD	PLENUM SHROUD
PHONE:	130-522-4747		SERIAL NO.	RELEASE DATE
			1000	10-95