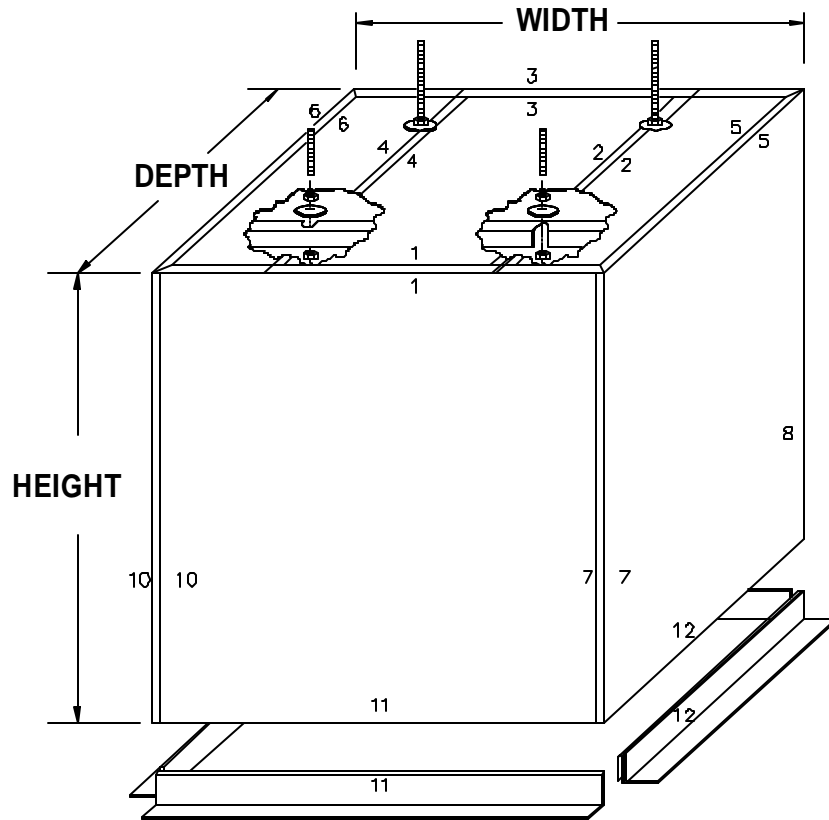


# SVS ACCESSORY # 2 PLENUM SHROUD (SVS MINI 4, 4, AND MINI 5 SERIES)



INSTALL INSPECTION HOLE CLOSE TO MOTOR IF THERE IS NO ACCESS TO UPPER CEILING. DO NOT FRAME IN SIDES OF SHROUD, SO THEY CAN BE REMOVED FOR SERVICE.

USING SVS MODEL: \_\_\_\_\_

WITH PROJECTOR: \_\_\_\_\_

- #1 CEILING CLOSURE
- #2 PLENUM SHROUD
- #9 MOUNT
- DECO. COVER     30"     60"

SHROUD HEIGHT CAN BE SHORTENED WITH TIN SNIPS OR SVS CAN SUPPLY EXTENSION TO INCREASE FOR LARGER PROJECTORS. PLEASE SPECIFY WHEN ORDERING.

© COPYRIGHT	SVS APPROX.	SVS INC.	
DRAWN BY: D.L.	8-91	PROJECT SVS #2 PLENUM SHROUD	
CHECKED BY: C.H.	8-91	DRAWING NO. 4SHROUD	DESCRIPTION PLENUM SHROUD
DESIGNED BY: SVS	8-91	SERIAL # AND RELEASE DATE	
CAGE CODE:	2-89	800	01-04
PHONE 850-522-4747			