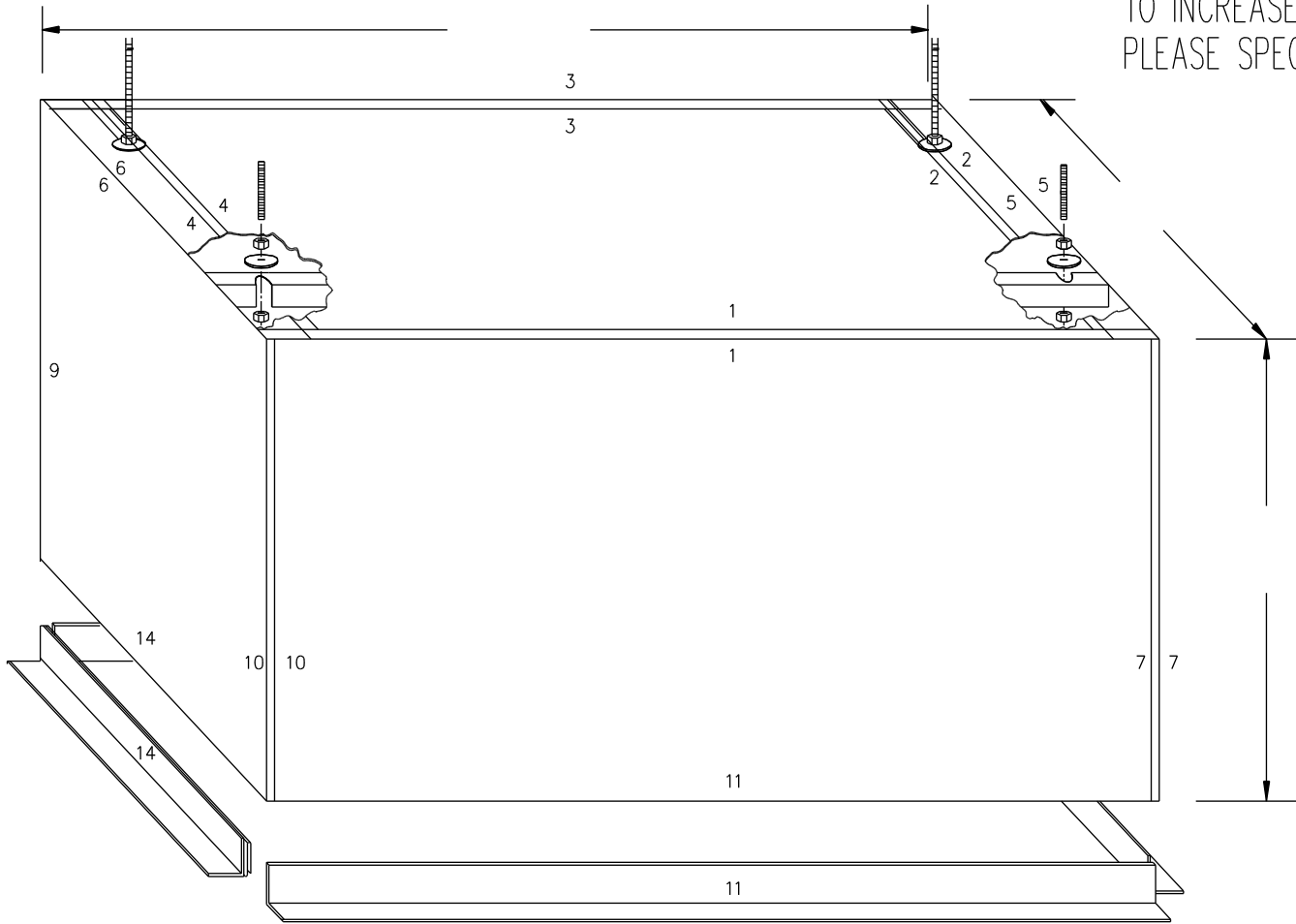


SVS ACCESSORY #2 PLENUM SHROUD (SVS PLASMA TWO)



SHROUD HEIGHT CAN BE SHORTENED WITH TIN SNIPS OR SVS CAN SUPPLY EXTENSION TO INCREASE FOR LARGER PROJECTORS. PLEASE SPECIFY WHEN ORDERING.

USING SCREEN: _____

- FP1 CEILING CLOSURE
- #2 PLENUM SHROUD
- PMT 9 MOUNT

INSTALL INSPECTION HOLE CLOSE TO MOTOR IF THERE IS NO ACCESS TO UPPER CEILING. DO NOT FRAME IN SIDES OF SHROUD, SO THEY CAN BE REMOVED FOR SERVICE.

© COPYRIGHT			SVS INC.	
DRAWN BY:	D.L.	8-91	PROJECT SVS PLASMA TWO	
CHECKED BY:	C.H.	8-91	US PATENT # 5,261,645 & #5,366,203	
DESIGNED BY:	SVS	8-91	DRAWING NO. PLASMA TWO SHROUD	
CAGE CODE:	OKPR7	2-89	SERIAL NO.	RELEASE DATE
PHONE:	850-522-4747		1000	11/10/06