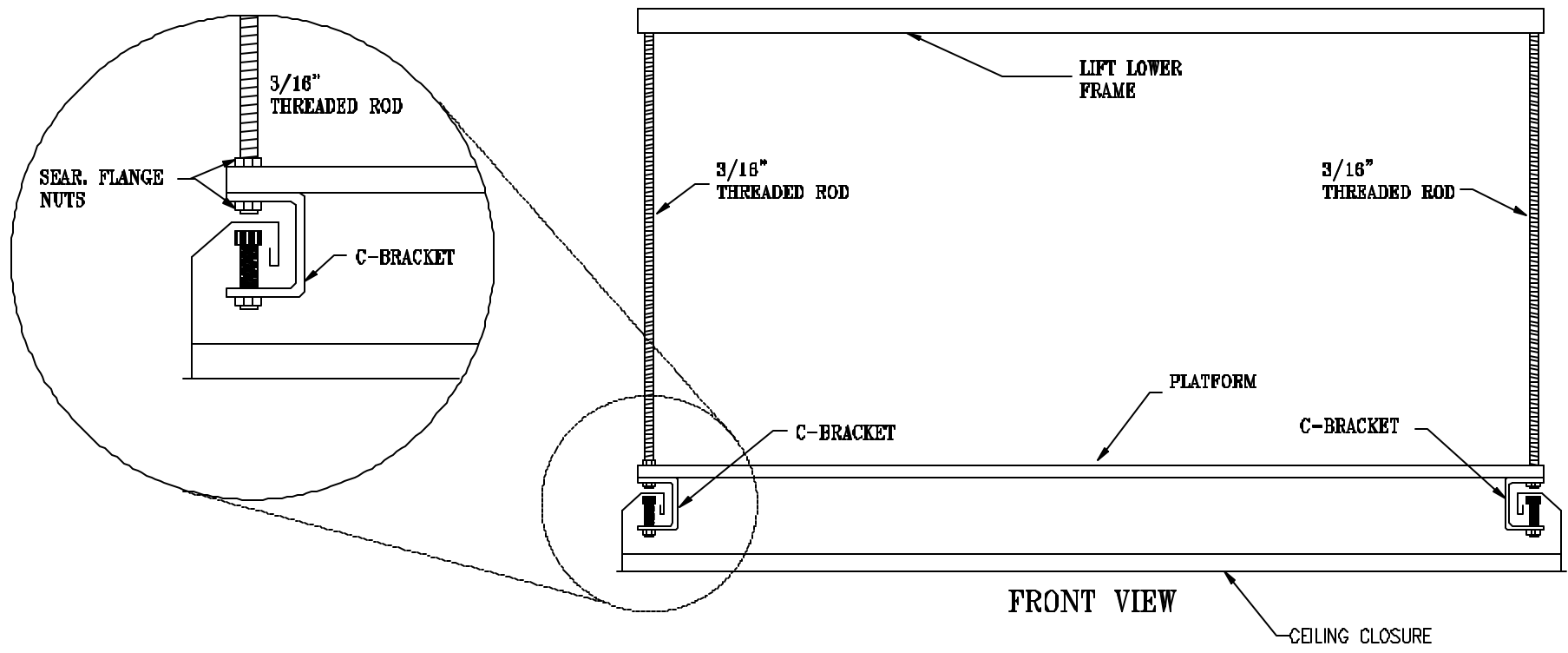


# SVS ACCESSORY #13 PLATFORM INSTALLATION



**NOTE:**

PLATFORM AND CEILING CLOSURE ARE SECURED TO THE PROJECTOR LIFT BY THREADED RODS, SEAR. FLANGE NUTS, AND C-BRACKETS AT EACH OF THE FOUR CORNERS OF THE LIFT LOWER FRAME.

IF YOU HAVE ANY QUESTIONS FEEL FREE TO CONTACT SVS AT 850-522-4747 OR SALES@SVSLIFTS.COM

© COPYRIGHT		SCALE APPROX	SVS INC.	
DRAWN BY:	D.B.	7-02	ACCESSORY #13 PLATFORM	
CHECKED BY:	S.D.	7-02	US PATENT #5,261,645 & #5,366,203	
DESIGNED BY:	SVS	7-02	DRAWING NO.	DESCRIPTION
CAGE CODE:	OKPR7	2-89	PLATFORM_INSTALL	PLATFORM INSTALLATION
PHONE:	850-522-4747		SERIAL NO.	RELEASE DATE
				7-02