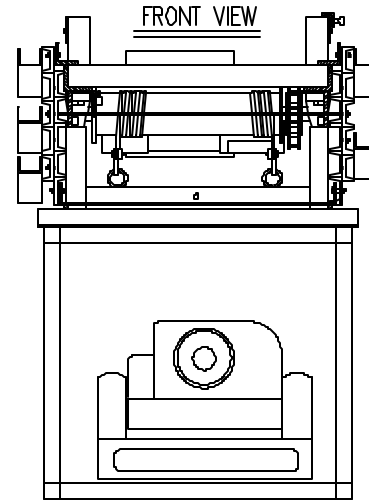
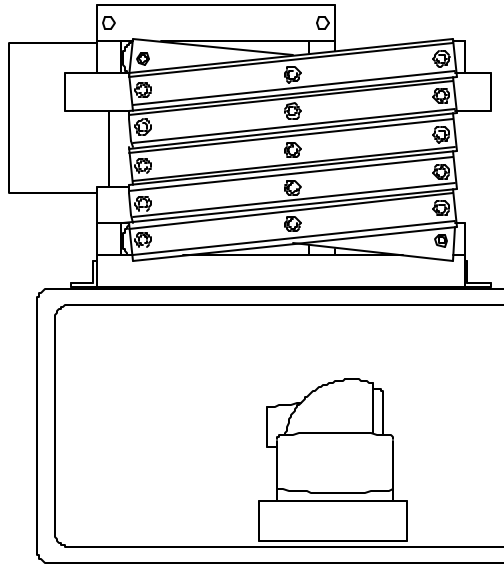


SVS MINI 4 2X2 PROJECTOR LIFT WITH CAMERA MOUNT



TO SCREEN →

© COPYRIGHT	SCALE APPROX	SVS INC.	
DRAWN BY: S M	4-96	MODEL SVS 4 DIMENSIONS US PATENT #5,261,645 & #5,366,203	
CHECKED BY: C.H.	4-96	DRAWING NO. cameraMINI4	DESCRIPTION MINI 4 W/CAMERA
DESIGNED BY: SVS	10-91	SERIAL NO	RELEASE DATE REV. 2
CAGE CODE: CKPR7	2-89	1600 and up	5-97
PHONE: 850-522-4747			